

INTER-FAB

inter-fab.com

G-FORCE™ SLIDE **Assembly & Installation Instructions**



IMPORTANT
THESE INSTRUCTIONS
MUST REMAIN WITH
THE SLIDE OWNER!

3050 S. ALVERNON WAY • TUCSON, AZ 85713
520.790.7040 • 800.737.5386 • FAX 520.790.7127

inter-fab.com

TABLE OF CONTENTS:

Intended Use Instructions2

Water Safety Envelope3

Stub-Up & Slide Placement4-5

Basic Exploded View of G-Force6

Hardware Kits7

Installation Tips8

Step 1: Assemble Short Leg.....9

Step 2: Position the Helix on the Ground9

Step 3: Attach Short Leg to Helix.....9

Step 4: Assemble Leg Extension.....10

Step 5: Attach Leg Extension to the Steel Support Pole.....10

Step 6: Attach Assembled Support Pole to Helix11

Step 7: Attach the Steel Support Pole Cap11

Step 8: Attach Leg Receiver to Ladder12

Step 9: Attach 1” Flex PVC Hose to the Entry Section12

Step 10: Slide 1” Flex PVC Tubing Down the Inside of Ladder13

Step 11: Attach the Ladder to the Entry Section13

Step 12: Insert Allthread Bolts Into the Entry Section.....13

Step 13: Attach the Exit Section to the Helix.....14

Step 14: Position & Align the Helix on the Deck14

Step 15: Attach the Ladder/Entry Sub-Assembly to the Helix.....14

Step 16: Set Angle for Ladder15

Step 17: Align the Leg Receiver on the Support Pole15

Step 18: Positioning the Short Leg & the Steel Support Leg15

Step 19: Mark Deck for Deck Anchor Bolts15

Step 20: Move Slide & Drill Deck Anchor Holes.....16

Step 21: Place Helix Over the Deck Anchor Bolts16

Step 22: Reattach the Ladder/Entry Sub-Assembly to the Helix.....17

Step 23: Insert Allthreads Into the Handrails17

Step 24: Attach Handrails to the Ladder/Entry Sub-Assembly.....18

Step 25: Tighten All Nuts.....18

Step 26: Attach 1” Flex PVC Tubing to Stub-Up18

Final Inspection Check List.....19

Slide Care & Maintenance19

Inter-Fab Limited Warranty20

INTENDED USE INSTRUCTIONS

1. Everyone who uses this slide must know, understand and follow these instructions
2. The 1999 ANSI/NSPI 4 standard for above ground pools prohibits the use of slides or diving boards on aboveground pools.
3. This Slide is designed for residential inground pool use only. This slide may not be used on any above ground pool. Such use of this slide may result in serious injury or death.
4. This slide should never be installed on onground pools, ponds, floating docks or platforms, boat docks or houseboats or any natural body of water.
5. This slide should never be installed on any commercial, public or semi-public pool.
6. Be familiar with the shape and depth of the pool before you slide. This slide should only be used with the proper water safety envelope, as described in Figures A, B & C on page 3 and in accordance with the slide positioning instructions, as described in Figures D, E, F & G on pages 4-5.
7. Because the slide may only be used in water 4'-6" deep or greater, all slide users must be able to swim in deep water.
8. Weight limit for this slide is 250 pounds, no slider weighing more than 250 pounds may use this slide.
9. The surface of the slide is very slippery when wet; **USE CAUTION** when entering the slide and when transitioning from standing to sitting.
10. Slide in a feet first sitting position **ONLY**.
11. **IMPORTANT: sliding headfirst is prohibited:** serious spinal injury resulting in paralysis or death can result.
12. Maintain adult supervision at all times.
13. Only one person at a time is allowed on the slide; this includes the ladder.
14. Be sure the water delivery system is on and lubricating the slide prior to use.
15. Collision with another swimmer or a diver can result in serious injury or death for one or both persons: Before sliding, always make sure that the path in front of the slide is free from any (including submerged) obstructions including other people or objects in the pool such as rafts, inner tubes etc. When a diving board is also present, make sure you do not use the slide while someone is on or using a diving board. Take turns.
16. No roughhousing or horseplay should be allowed on the slide at any time.
17. Do not stand, jump or dive from any part of the slide.
18. Do not slide on objects such as rafts or inner tubes. doing so greatly increases your risk of injury.
19. Do not slide through or at objects such as rafts or inner tubes, doing so greatly increases your risk of injury.
20. Do not use this slide if physically impaired or handicapped without your doctor's permission.
21. Do not use this slide with a history of heart conditions, seizures, back problems, fainting or fear of heights.
22. Do NOT use this slide if you are pregnant.
23. Do not drink alcohol and use this slide.
24. Don't take chances, inspect the slide at least once a year (see the slide inspection list on page 23, do not use the slide if any part becomes loose, damaged, weakened or broken. If necessary, before using the slide again, have it inspected and repaired by a competent professional familiar with pool slides.

WARNING: SERIOUS INJURY OR DEATH CAN RESULT FROM THE IMPROPER INSTALLATION OR USE OF THIS SLIDE.



When installed according to these instructions, this slide substantially conforms to Consumer Product Safety Standard Guidelines.

WATER SAFETY ENVELOPE:

A minimum water depth of three feet (3') under the exit of the slide which increases to a depth of four feet six inches (4'6") at point A which is located four feet six inches (4'6") from the back wall of the pool. A minimum depth of four feet six inches (4'6") must be maintained at a distance of nine feet (9') along the centerline of the slide from point A. The above described water depth profile shall extend a minimum of three feet three inches (3'3") on either side of the centerline of the slide. (See Fig. A, B & C)

Fig. A
(NOT TO SCALE)

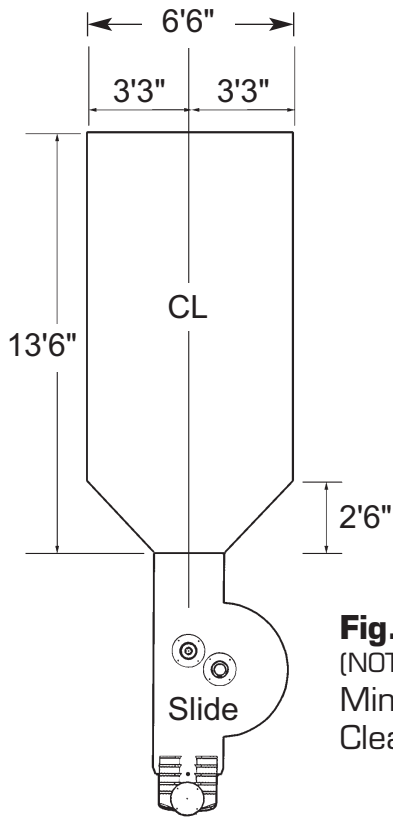
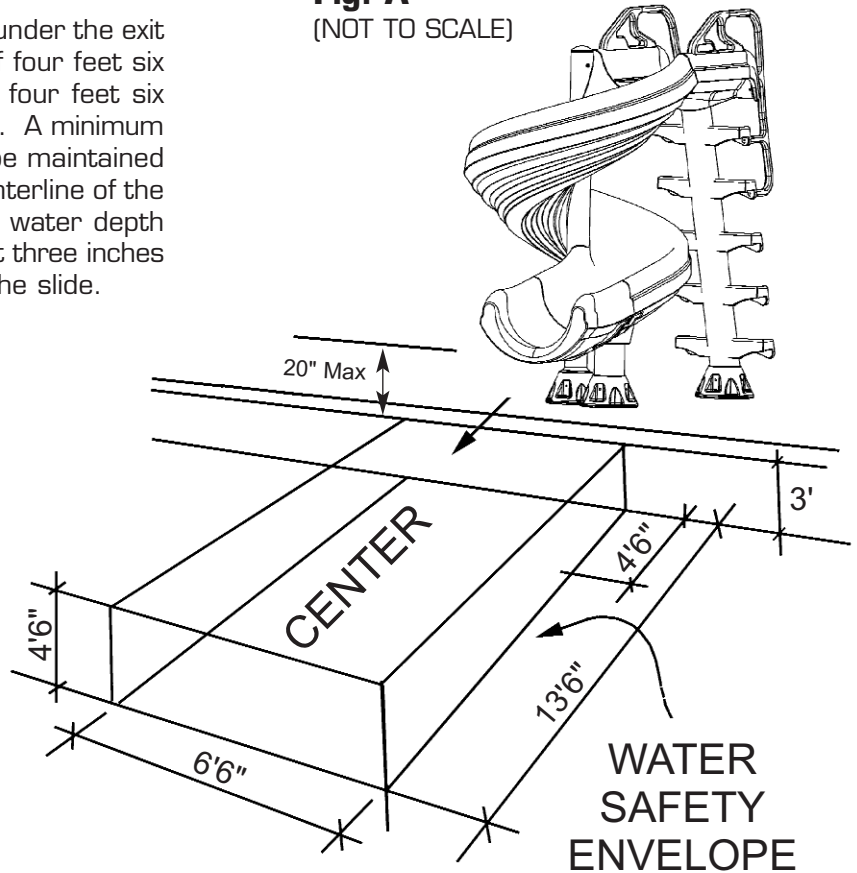
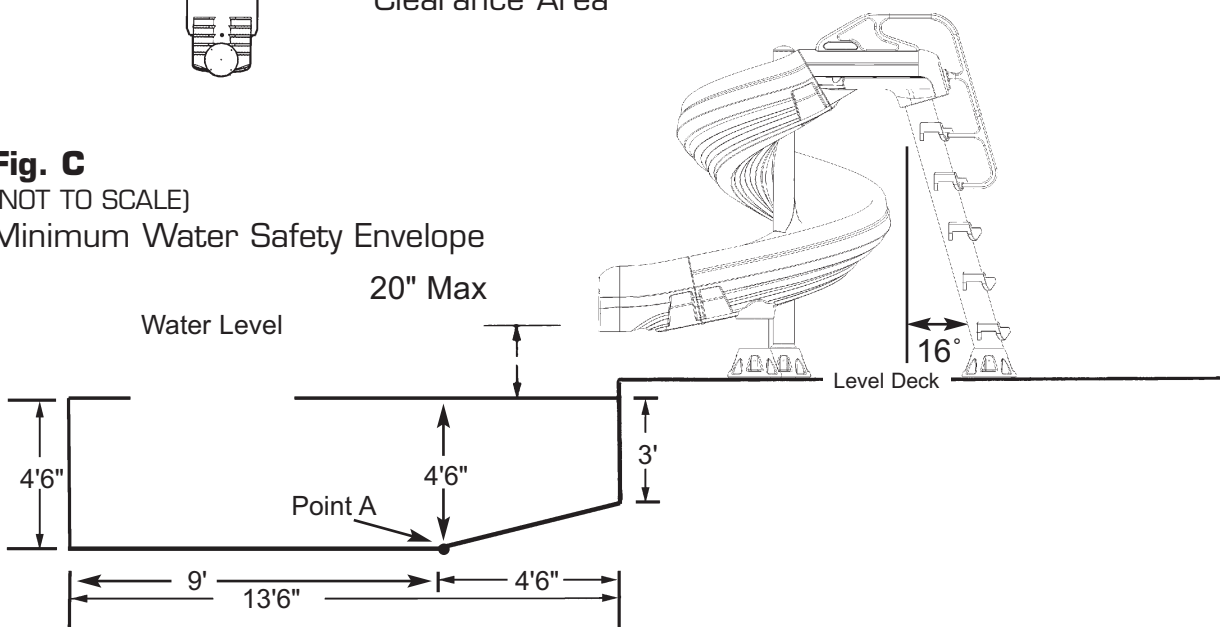


Fig. B
(NOT TO SCALE)
Minimum Slide
Clearance Area

Fig. C
(NOT TO SCALE)
Minimum Water Safety Envelope

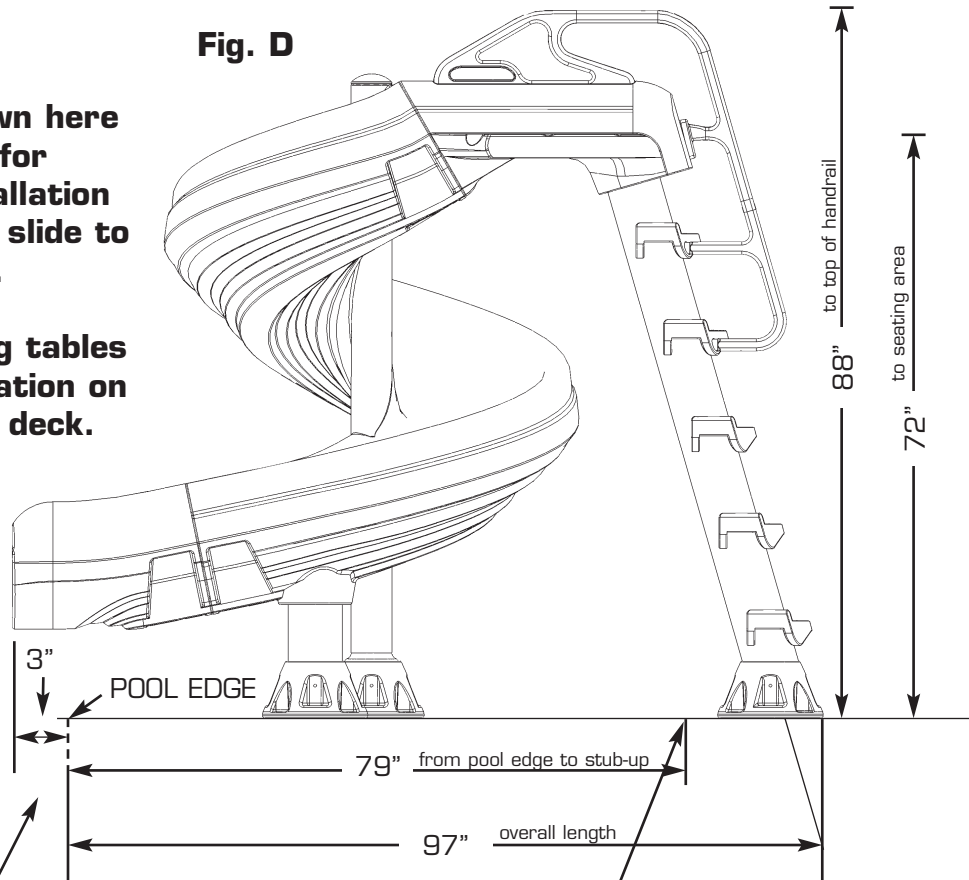


SIDE VIEW

Fig. D

Dimensions shown here in side view are for straight on installation without pivoting slide to the right or left.

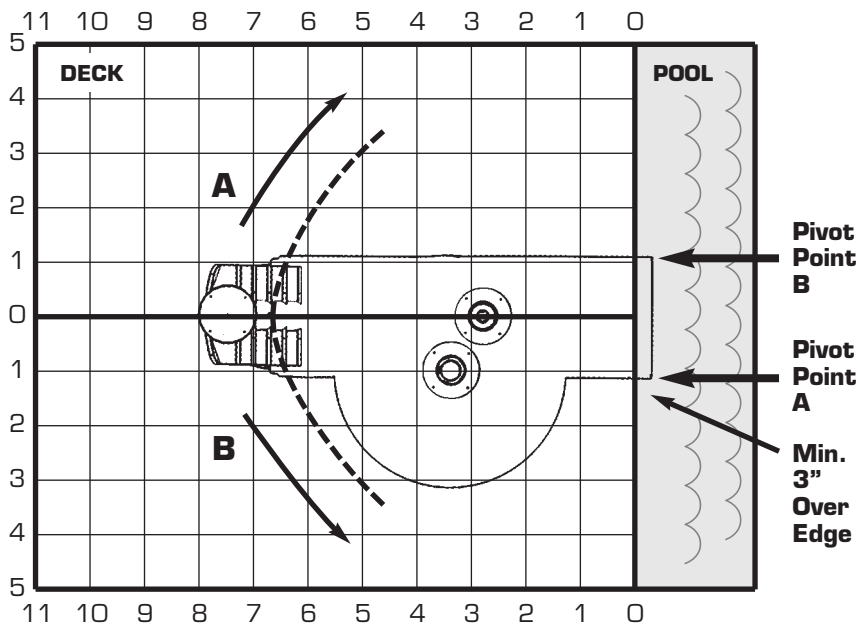
See the following tables for more information on pivoting slide on deck.



IMPORTANT NOTE: Slide overhang must be a minimum of 3" and is variable. Other dimensions will alter accordingly.

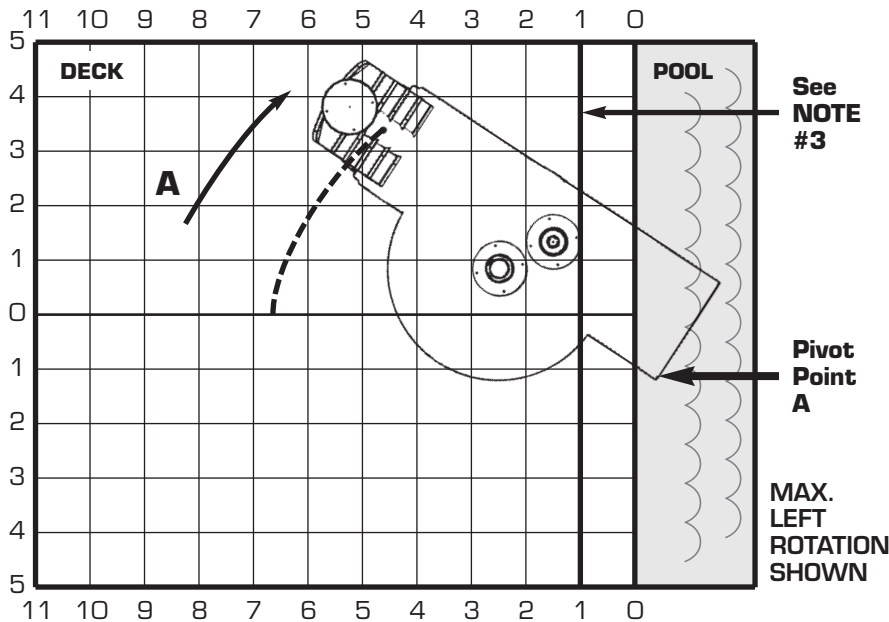
Place water stub-up 4" directly in front of step section.

Fig. E



LEGEND
 1 Square = 1 Foot (12")
 ----- = Water Stub-Up Location

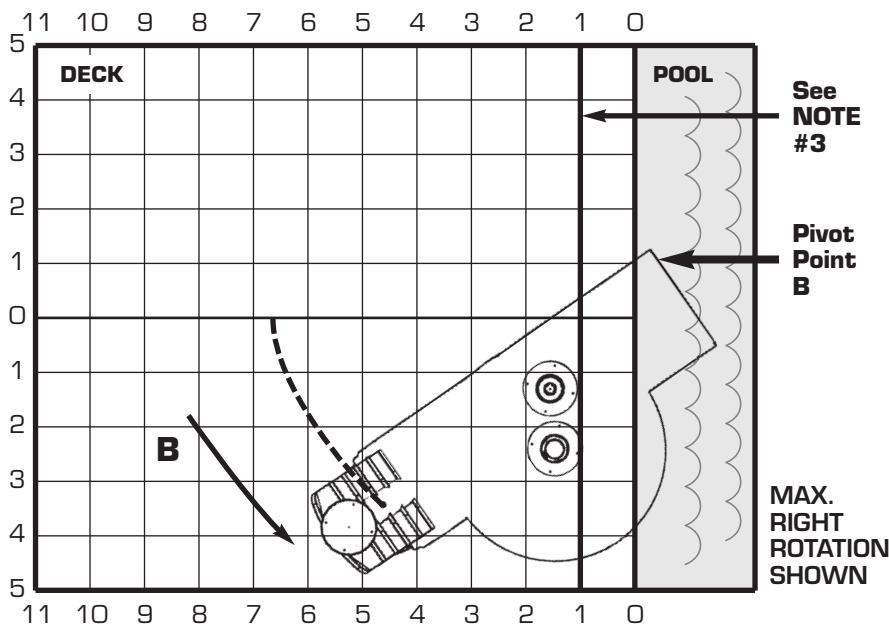
Fig. F



STUB-UP PLACEMENT PROCEDURES:

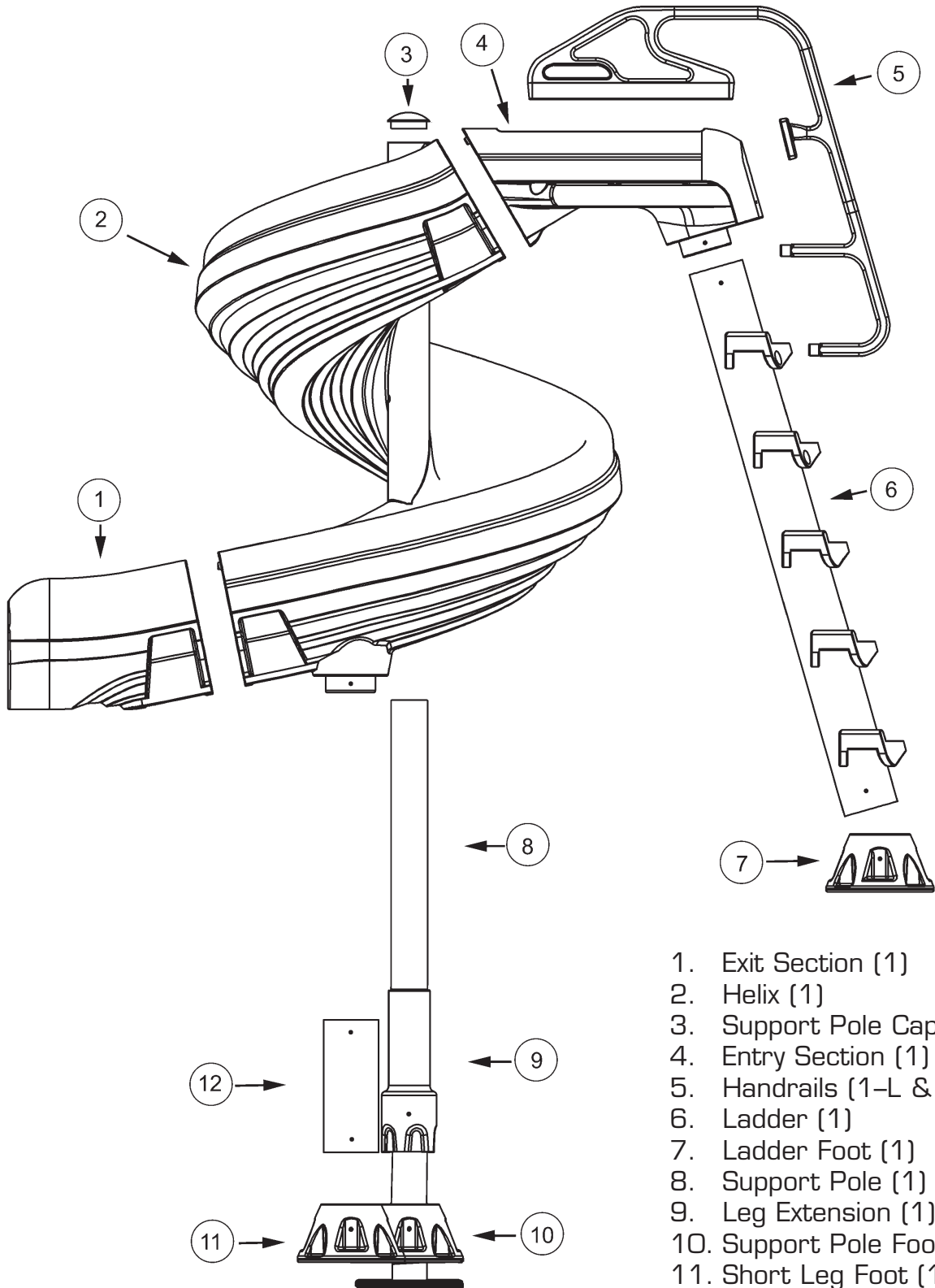
- 1) First determine which pivot point you will use, A or B. (Fig. E)
- 2) Establish where on your pool that pivot point will be.
- 3) Slide foot closest to the water, when pivoted in either direction, must be a minimum of 1' (12") away from pool edge.
- 4) Slide overhang must be a minimum of 3" at pivot point and is variable. Other dimensions will alter accordingly.
- 5) Distance from pool edge to stub-up on a STRAIGHT application (Fig. D & Fig. E) is 79".
- 6) Distance from pivot point to stub-up on a PIVOTED application (Fig. F & Fig. G) is 80".
- 7) Use pivot point A when rotating rear of slide to the left; use pivot point B when rotating rear of slide to the right.
- 8) **NOTE:** When you pivot slide from pivot point B, a portion of the slide helix will overhang the pool. ***This may be visually objectionable to some consumers.*** (Fig. G)

Fig. G



LEGEND
 1 Square = 1 Foot (12")
 ----- = Water Stub-Up Location

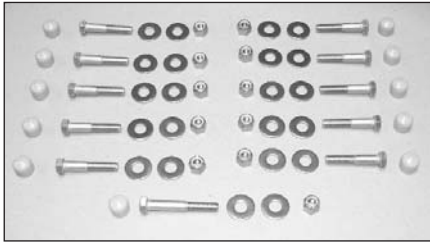
Fig. H
(NOT TO SCALE)



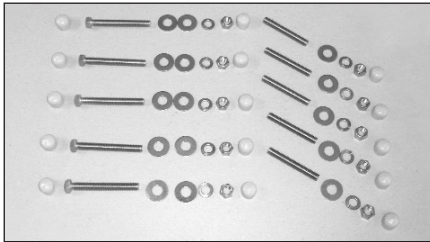
- 1. Exit Section (1)
- 2. Helix (1)
- 3. Support Pole Cap (1)
- 4. Entry Section (1)
- 5. Handrails (1-L & 1-R)
- 6. Ladder (1)
- 7. Ladder Foot (1)
- 8. Support Pole (1)
- 9. Leg Extension (1)
- 10. Support Pole Foot (1)
- 11. Short Leg Foot (1)
- 12. Short Leg (1)

G-FORCE SLIDE HARDWARE KITS

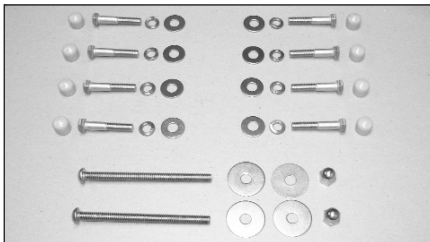
(NOT TO SCALE)



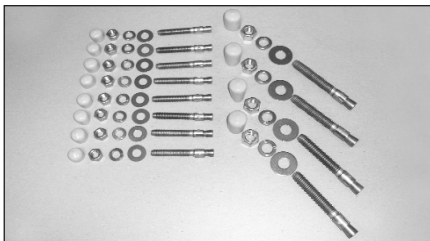
G4C-101 - PVC LEG TO FOOT RECEIVER		
QTY	PART NUMBER	COMPONENT DESCRIPTION
10	H-SS 3/8-16X2	3/8" x 2" hex head bolt s.s.
1	H-SS 3/8 X2-1/2	3/8" x 2-1/2" hex head bolt s.s.
11	H-SS 3/8 NYLON	3/8" nylon insert nut s.s.
22	H-SS 3/8 FLT WASHER	3/8" x 1" flat washer s.s.
11	H-.562 X .390 CAP	gray protective cap



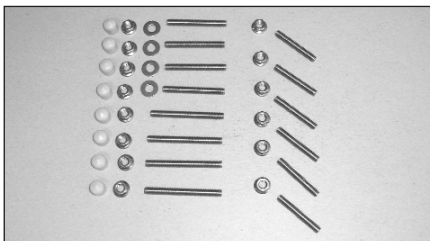
G4C-102 - FLUME HARDWARE		
QTY	PART NUMBER	COMPONENT DESCRIPTION
5	H-SS 3/8X2-1/2	3/8" x 2-1/2" all-thread stud s.s.
10	H-SS 3/8 F NUT	3/8" finish nut s.s.
10	H-SS 3/8 LOC WASHER	3/8" lock washer s.s.
15	H-SS 3/8 FLT WASHER	3/8" x 1" flat washer s.s.
5	H-SS 3/8 X 3 TAP	3/8" x 3" hex head tap bolt s.s.
15	H-.562 X .390 CAP	gray protective cap



G4C-103 - PVC LEG TO FLUME & HELIX TO POLE		
QTY	PART NUMBER	COMPONENT DESCRIPTION
8	H-SS 3/8-16X2	3/8" x 2" hex head bolt s.s.
8	H-SS 3/8 LOC WASHER	3/8" lock washer s.s.
8	H-SS 3/8 FLT WASHER	3/8" x 1" flat washer s.s.
8	H-.562 X .390 CAP	gray protective cap
2	H-SS 3/8X5 BUTT	3/8" x 5" button head socket bolt
4	H-SS 3/8 FENDER	3/8" x 1-1/2" fender washer
2	H-SS 3/8 ACORN	3/8" acorn nut



G4C-104 - FOOT RECEIVER TO DECK		
QTY	PART NUMBER	COMPONENT DESCRIPTION
8	H-SS 3/8 LOC WASHER	3/8" lock washer s.s.
8	H-SS 3/8 WEDGE	3/8" x 2-3/4" wedge anchor w/nut & flat washer s.s.
8	H-.562 X .390 CAP	gray protective cap
4	H-SS 1/2X3-3/4	1/2" x 3-3/4" wedge anchor w/nut & flat washer s.s.
4	H-SS 1/2 LOC WA	1/2" split lock washer s.s.
4	H-1 WHT CAP	.750" x 1" gray nut cap



G4C-105 - HANDRAIL HARDWARE		
QTY	PART NUMBER	COMPONENT DESCRIPTION
6	H-SS 5/16 X 2	5/16" x 2" all-thread stud s.s.
4	H-SS 5/16 X 2-1/2	5/16" x 2-1/2" all-thread stud s.s.
4	H-SS 5/16 X 3	5/16" x 3" all-thread stud s.s.
4	H-SS 5/16 FLA WASHER	5/16" flat washer s.s.
14	H-SS 5/16 SER	5/16" serrated flange nut
8	H-.463 X .310 CAP	gray protective cap

READ THIS ENTIRE INSTALLATION MANUAL BEFORE ATTEMPTING THE INSTALLATION

TIP: There are 3 leg receivers (elephant feet), one is slanted inside, the slanted receiver is used on the ladder, and the other two receivers are straight inside, of these, the one that goes on the steel support pole has larger holes along the edge that bolts to the deck.

TIP: Do not confuse the four holes at the bottom of the support legs, which align with the holes in the foot receiver with the four holes at the top that bolt to the helix. The holes for the foot receiver are 4-1/2" from the end of the pipe, The PVC leg will sit flush to the deck when installed correctly.

TIP: The leg receiver for the ladder utilizes only (3) 3/8" hex head bolts; one of these bolts is 1/2" longer than the rest of the bolts in hardware kit G4C-101. This longer 2-1/2" bolt goes into the hole on the ladder that faces inside toward the helix. The other foot receivers utilize (4) 3/8" x 2" hex head nuts.

TIP: Use the provided anti-seizing lubricant on all bolts before attaching nuts or they will seize.

TIP: After using the slide for several days all visible connections should be checked and re-tightened as necessary

TIP: The water stub-up should be 1" or 1-1/2" diameter as smaller is not sufficient for best results.

For Technical Support or Assistance,
Contact Customer Service at:

**INTER-FAB, INC.
3050 S. ALVERNON WAY
TUCSON, AZ 85713
(800) 737-5386**

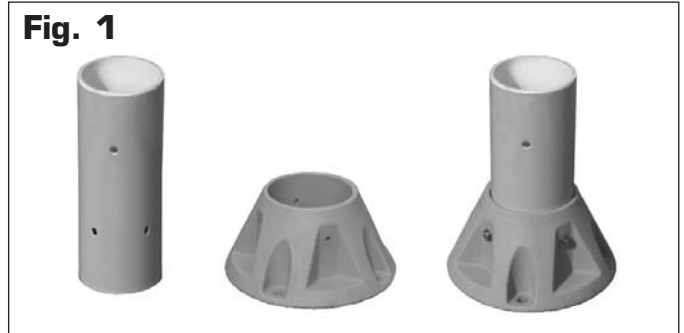
or visit: www.inter-fab.com

ASSEMBLY AND INSTALLATION INSTRUCTIONS

STEP 1: ASSEMBLE SHORT LEG

Insert the short 6" PVC tube leg into the straight leg receiver. Using hardware kit G4C-101, place a flat washer on a 3/8" bolt then push thru the pre-drilled holes in the foot receiver and the PVC leg, then place a flat washer and a 3/8" locking nut and tighten. Make sure to tighten these nuts now.

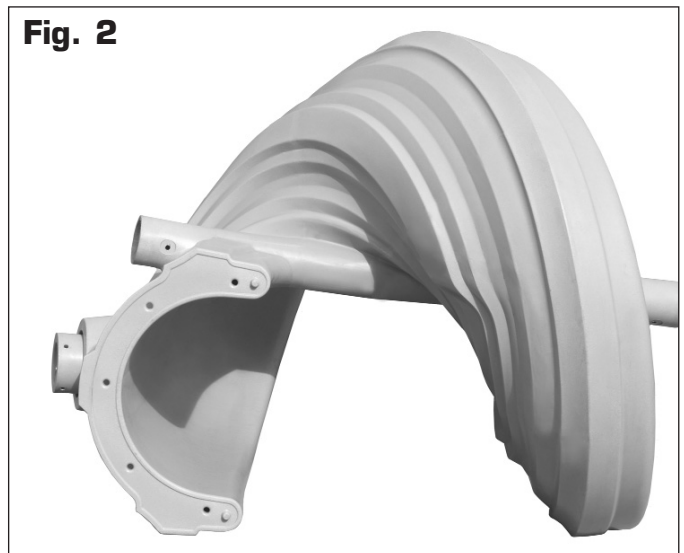
Fig. 1



STEP 2: POSITION THE HELIX ON THE GROUND

Lay the helix on its side. Do not lay the helix directly on the ground or it will scratch, use the cardboard shipping carton as protection. The helix can become out of balance as you attach parts so position it as shown in Fig. 2.

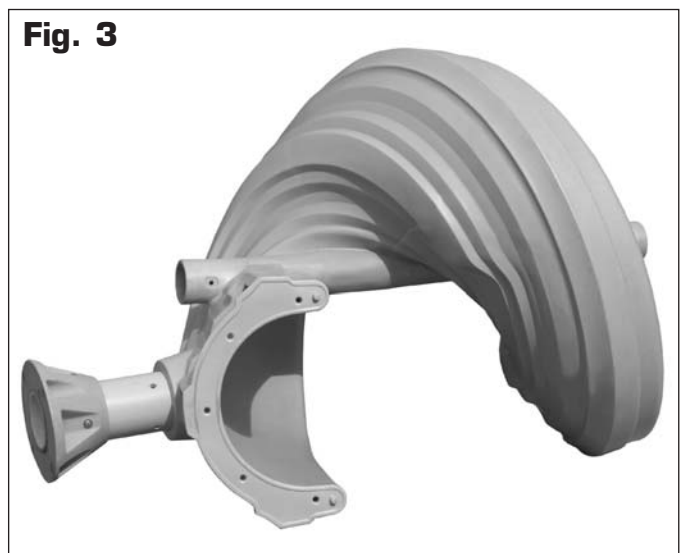
Fig. 2



STEP 3: ATTACH SHORT LEG TO HELIX

Insert the top of the short PVC leg into the helix leg receiver as shown, attach with (4) 3/8" x 2" hex head bolts from hardware kit G4C-103. Place lock washer, then flat washer over bolt and insert thru pre-drilled PVC leg into the nuts embedded in helix. These bolts should only be hand tighten at this time.

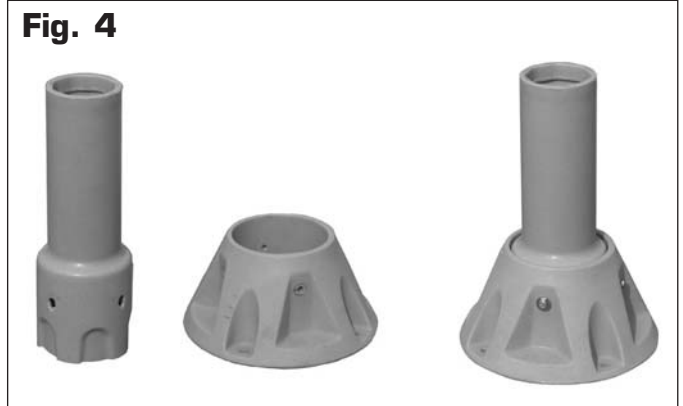
Fig. 3



STEP 4: ASSEMBLE LEG EXTENSION

Insert the leg extension into the straight leg receiver with the wider portion down. Utilizing hardware kit G4C-101; place a flat washer on a 3/8" bolt then push thru the pre-drilled holes in the foot receiver and the leg extension, then place a flat washer and a 3/8" locking nut and tighten. Make sure to tighten these nuts now, as it will not be possible later.

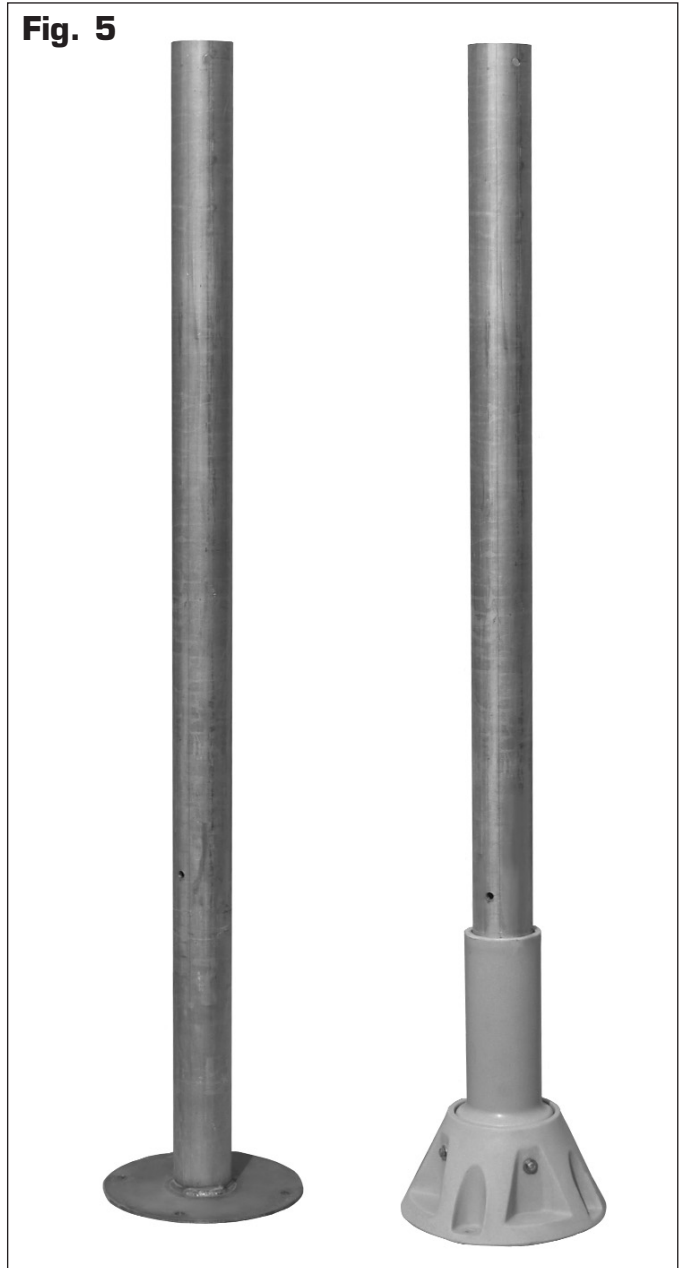
Fig. 4



STEP 5: ATTACH LEG EXTENSION TO THE STEEL SUPPORT POLE

Slide the assembled leg extension down the steel support pole so the bottom of the leg receiver rests on the steel plate at the bottom of the pole as shown in Fig. 5.

Fig. 5



STEP 6: ATTACH ASSEMBLED SUPPORT POLE TO HELIX

Slide the assembled support pole into the helix as shown in Fig. 6.1. Utilizing the G4C-103 hardware kit, place a flat washer over a 5” socket cap bolt, then insert bolt thru pre-drilled holes in helix and support pole, place flat washer then acorn nut on bolt and hand tighten. Note: There is one hole at the bottom of the helix and one hole at the top of the helix, when inserting the bolts, make sure the socket head faces the flume as shown in Fig 6.2 & 6.3.

Fig. 6.1

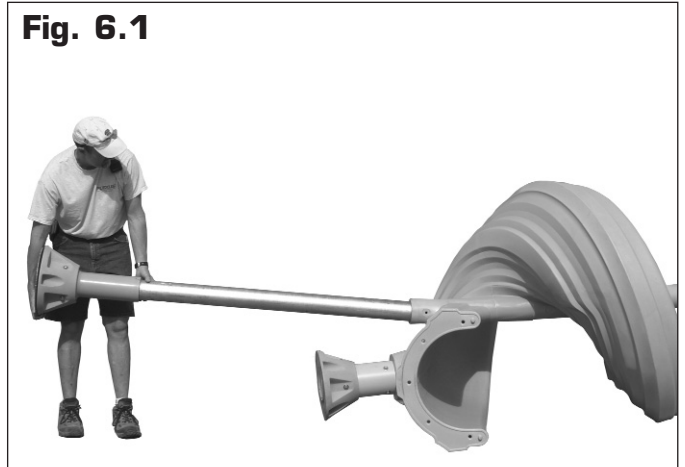


Fig. 6.2

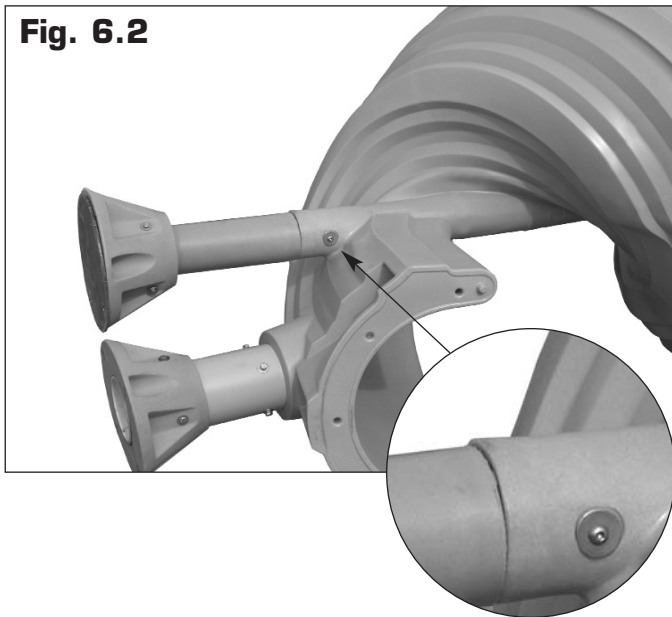
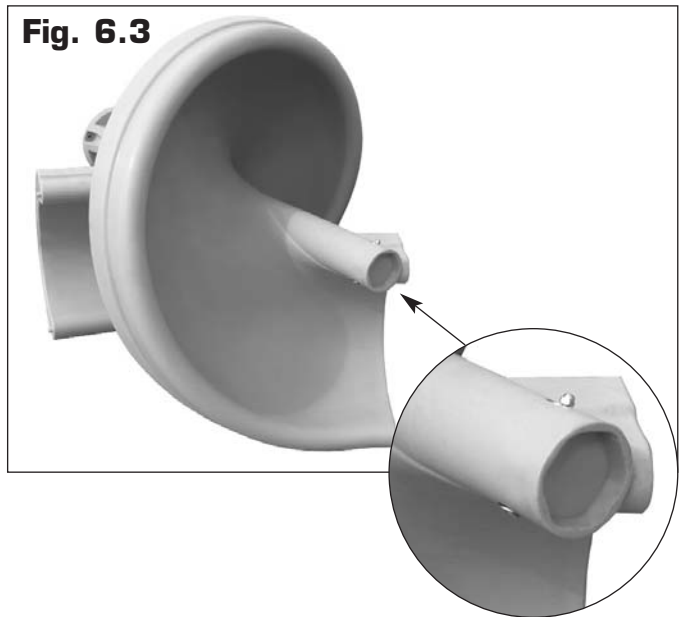


Fig. 6.3



STEP 7: ATTACH THE STEEL SUPPORT POLE CAP

Attach the cap to the top of the steel support pole while the helix is on the ground before using upper 5” socket cap bolt. Use clear silicone to seal cap to helix.

Fig. 7



STEP 8: ATTACH LEG RECEIVER TO LADDER

Insert slanted end of ladder into the slanted leg receiver. Using G4C-101 hardware kit, place a flat washer on a 3/8" bolt then push thru the pre-drilled holes in the foot receiver and the PVC leg, then place a flat washer and a 3/8" locking nut and tighten. Make sure to tighten these nuts now. Remember that the 2-1/2" bolt goes on the inside of the ladder toward the helix.

Fig. 8.1

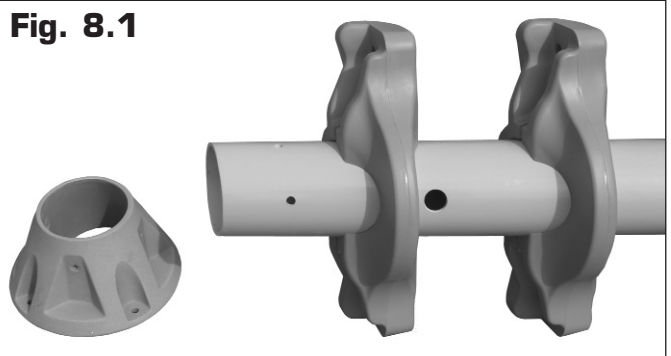
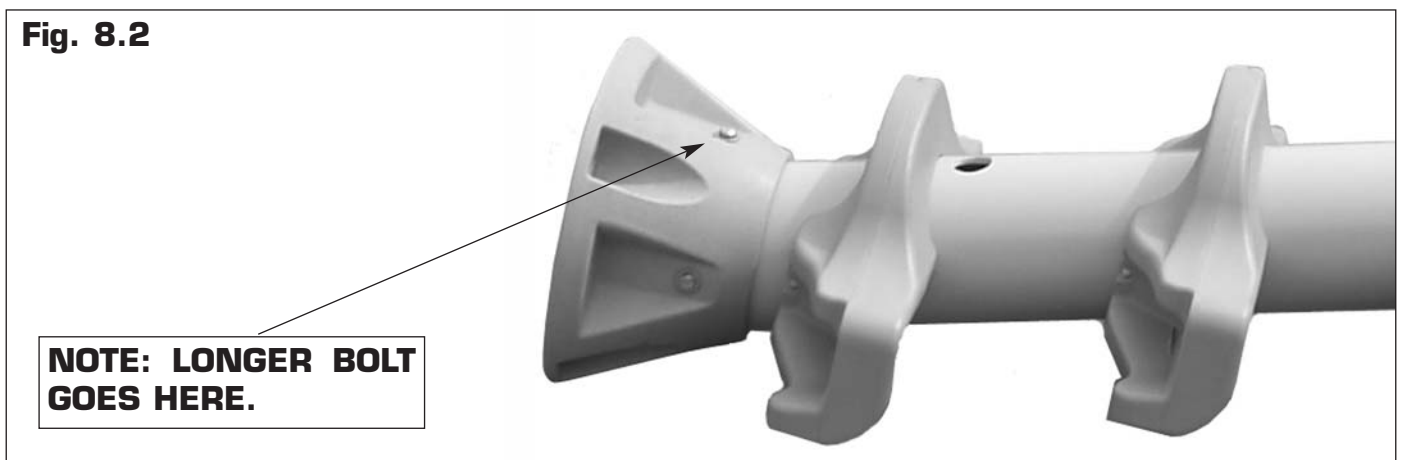


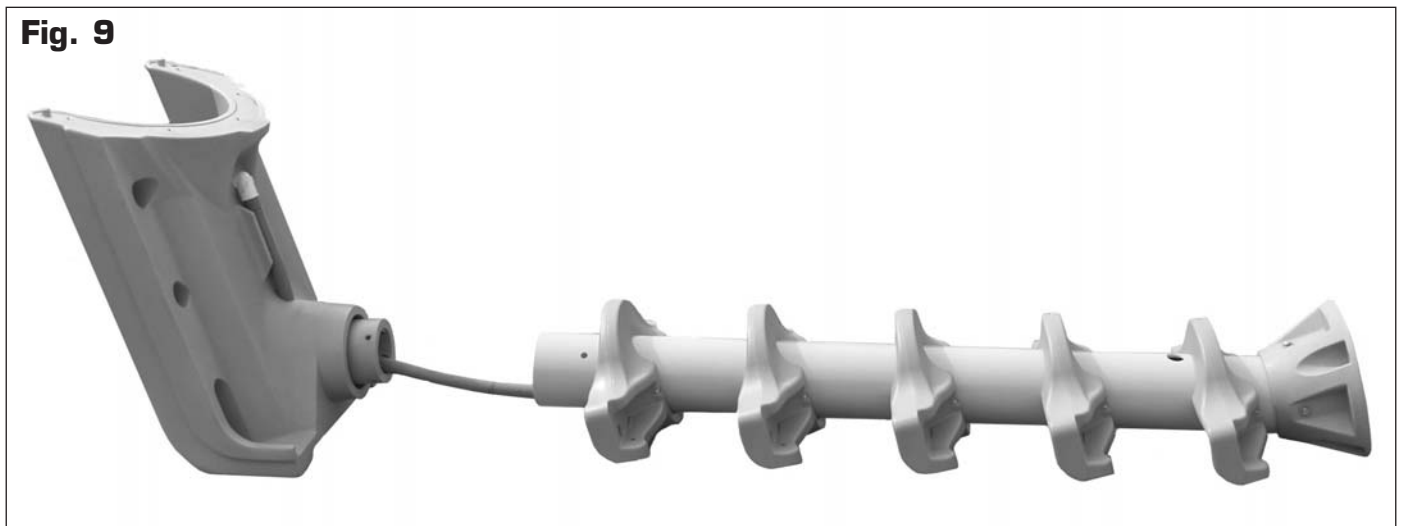
Fig. 8.2



STEP 9: ATTACH 1" FLEX PVC HOSE TO THE ENTRY SECTION

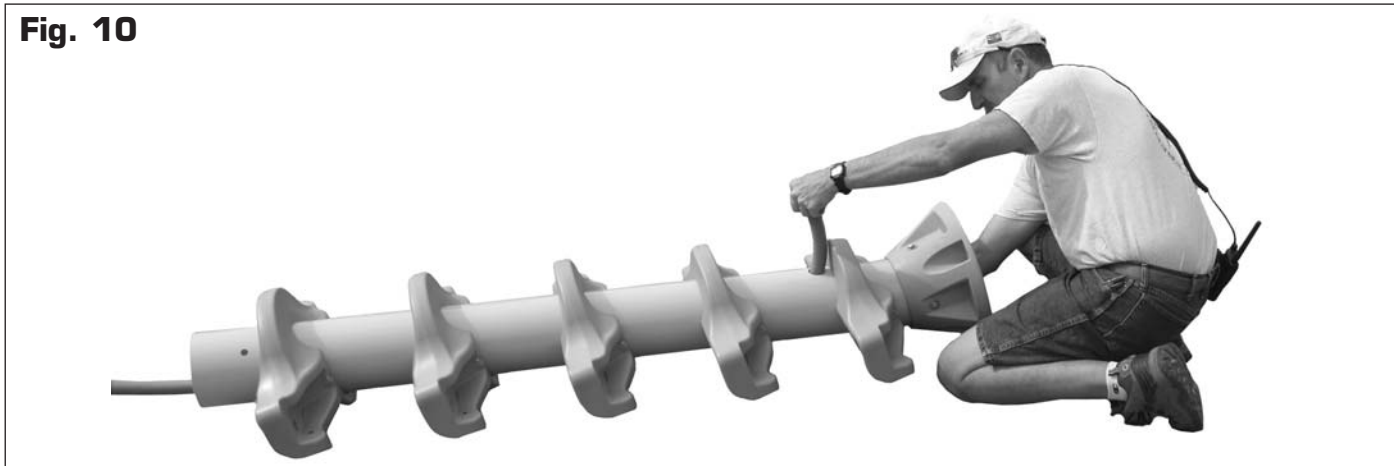
Slide the PVC flex hose thru the entry section ladder receiver and pull up thru the exit hole located slightly higher, position the hose thru the ribbed hose guard and using PVC glue attach to the 90° female adapter, as shown. Allow glue to thoroughly dry.

Fig. 9



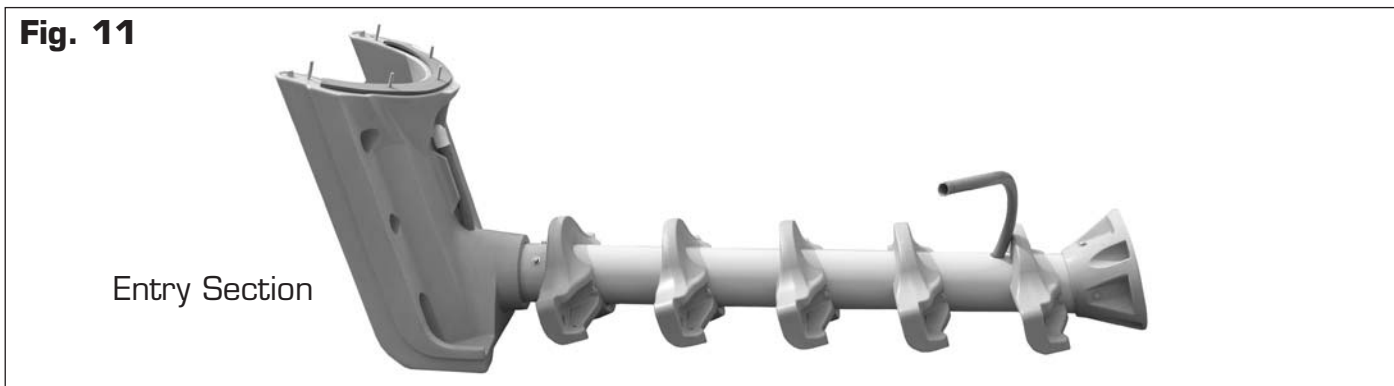
STEP 10: SLIDE 1" FLEX PVC TUBING DOWN THE INSIDE OF LADDER

From the top of the ladder support tube, slide the flex PVC tubing down the inside of the ladder, make sure the PVC tubing goes behind the nylon step support rods inside the ladder. Reach up into the ladder support leg thru the foot receiver with one hand and push the PVC tubing up and out the exit hole located just above the bottom step. Gently pull the hose out the exit hole as you slide the entry section toward the ladder, closing the gap until the top of the ladder touches the entry section leg receiver.



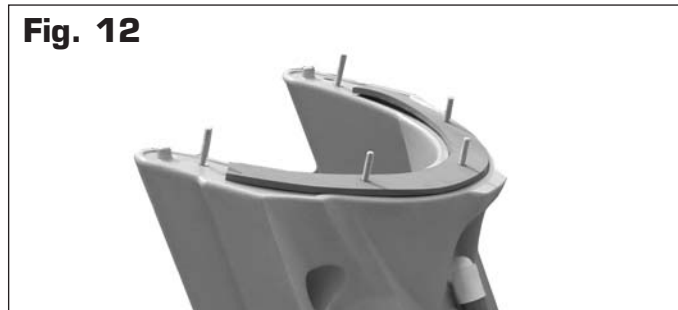
STEP 11 ATTACH THE LADDER TO THE ENTRY SECTION

Slide the top of the ladder into the ladder receiver on the entry section then gently pull the PVC hose out the bottom ladder exit hole until the slack is eliminated. Align holes, then attach with (4) 3/8" x 2" hex head bolts from hardware kit G4C-103. Place lock washer, then flat washer over bolt and insert thru holes pre-drilled in PVC leg into the nuts embedded in helix. These bolts should only be hand tighten at this time.



STEP 12: INSERT ALLTHREAD BOLTS INTO THE ENTRY SECTION

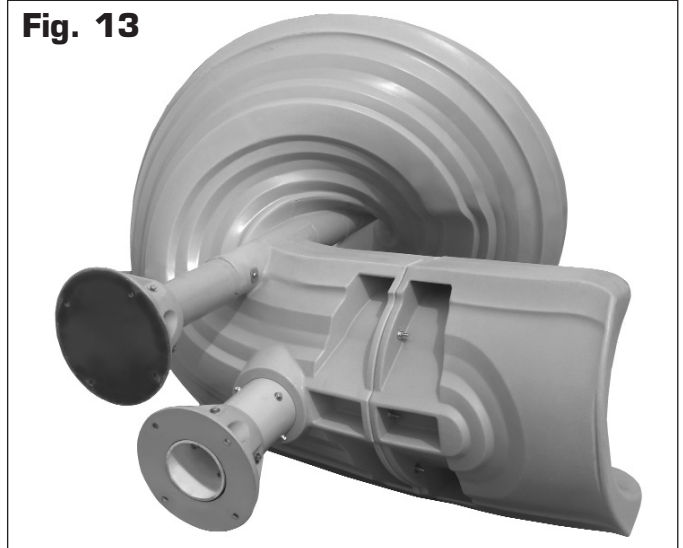
Utilizing hardware kit G4C-102, insert the (5) 3/8" x 2" allthread bolts into the 5 embedded nuts along the face of the entry section flange as shown. Only hand tighten these bolts, do not use a wrench or other mechanical means to tighten these bolts.



STEP 13: ATTACH THE EXIT SECTION TO THE HELIX

While the helix is on the ground, utilizing hardware kit G4C-102 attach the exit section to the helix using (5) 3/8" x 3" tap bolts. Place flat washer over bolt, push bolt through the pre-drilled holes in both flanges, then place flat washer, lock washer and nut. Ensure smooth even transition of the sliding surface, and then tighten the bolts in an alternating fashion to provide an even compression of the flange gasket. Only hand tighten at this time.

Fig. 13



STEP 14: POSITION AND ALIGN THE HELIX ON THE DECK

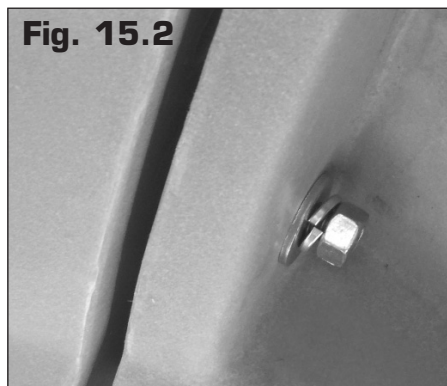
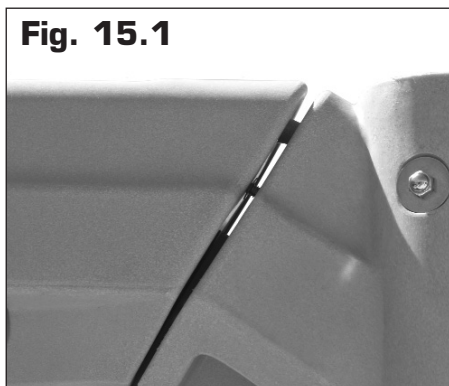
It is much easier to position the helix on the deck before the ladder and entry section are attached. Stand the helix up and then carefully position it on the deck where it will be anchored, make sure to position the slide according to the slide placement instructions on pages 4 & 5 ensuring the water in front of the slide meets all the requirements as specified for the water safety envelope found on page 3.

Fig. 14



STEP 15: ATTACH THE LADDER/ENTRY SUB-ASSEMBLY TO THE HELIX

Align the 5 allthreads in the entry section with the 5 holes in the helix, and then. After the allthreads pass through the helix, attach a flat washer, lock washer and 3/8" nut, ensure a smooth and even alignment of the sliding surface and then tighten the bolts. Only hand tight at this time.



STEP 16: SET ANGLE FOR LADDER

Using an angle finder set the ladder at 16° from vertical as shown, and then utilizing a bubble level adjust the left to right alignment of the ladder steps as shown in Fig. 16.1 & 16.2.

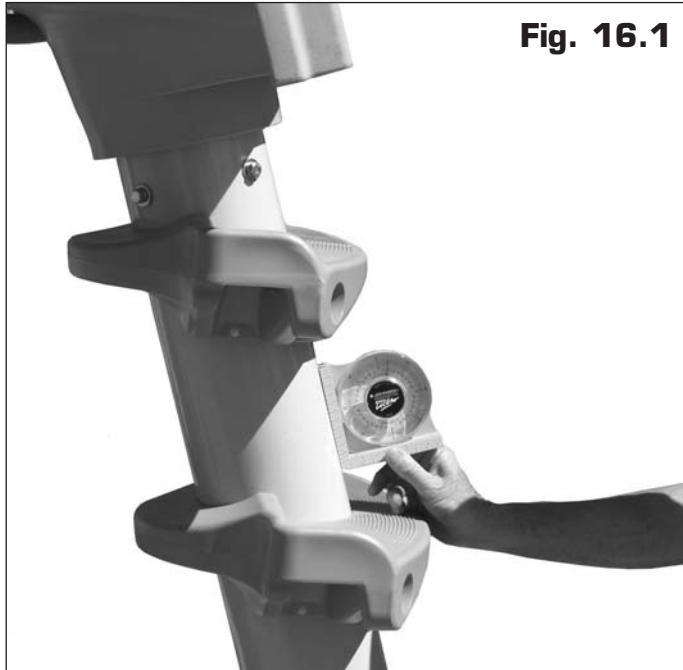


Fig. 16.1



Fig. 16.2

STEP 17: ALIGN THE LEG RECEIVER ON THE SUPPORT POLE

Slowly rotate the steel support pole leg receiver until the holes align with the holes in steel plate attached to the support pole.

STEP 18: POSITIONING THE SHORT LEG AND THE STEEL SUPPORT LEG

On the deck, gently position the short leg foot receiver and the steel support pole receiver until they are approximately one inch apart as shown. Recheck the alignment of the sliding surface between the entry section and the helix as well as the 16° angle and the left to right alignment, adjust as necessary.

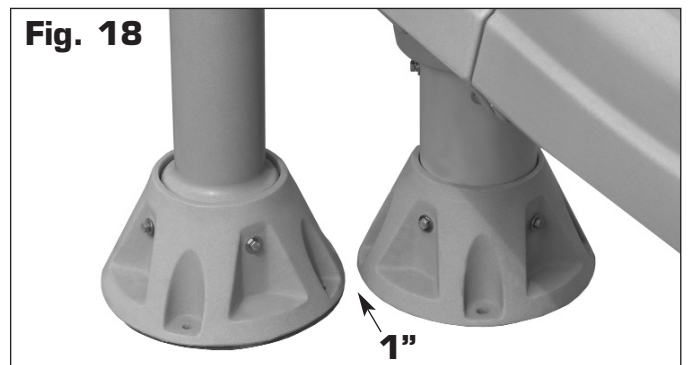


Fig. 18

STEP 19: MARK DECK FOR DECK ANCHOR BOLTS

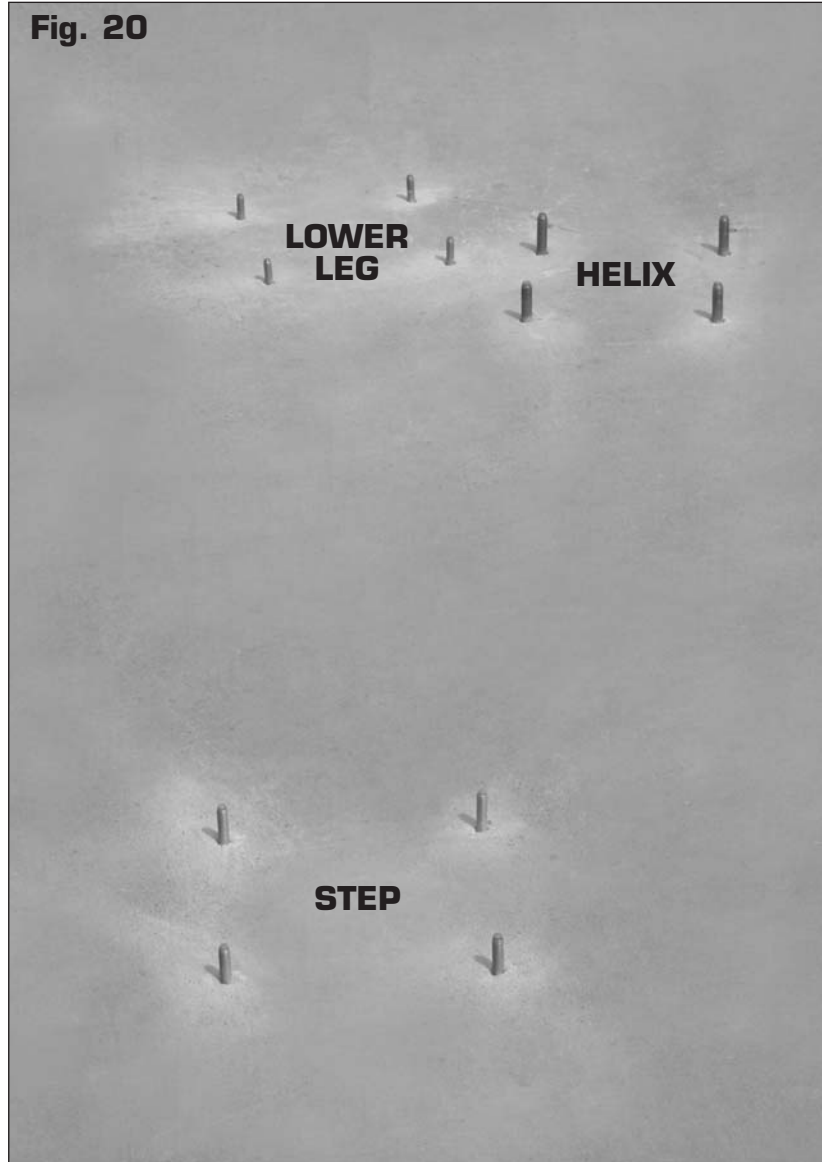
Using a permanent marker carefully mark the location for the deck anchor bolts through the foot receivers as shown.



Fig. 19

STEP 20: MOVE SLIDE AND DRILL DECK ANCHOR HOLES

IMPORTANT: Using hardware kit G4C-104, the leg receiver for the support pole requires (4) of the larger 1/2" deck anchor bolts; the short leg and ladder receivers each require (4) 3/8" deck anchor bolts. Detach the ladder/entry sub-assembly from the helix and place aside, gently move the helix to the side providing enough room to easily drill the holes for the deck anchor bolts. **IMPORTANT:** *Care must be taken not to drill all the way through the concrete deck or the anchors will not work correctly.* **IMPORTANT:** The deck anchor bolts must be drilled to the correct depth; the 3/8" deck anchors must be drilled to a depth of 1-3/4" with 1" of the bolt above the deck, the 1/2" deck anchors must be drilled to a depth of 2-1/2" with 1-1/4" of the bolt above the deck. Insert the deck anchors (wedge anchors) into the appropriate holes and tighten. Drill the 3/8" deck anchor holes with a 3/8" masonry bit, drill the 1/2" deck anchor holes with a 1/2" masonry bit.



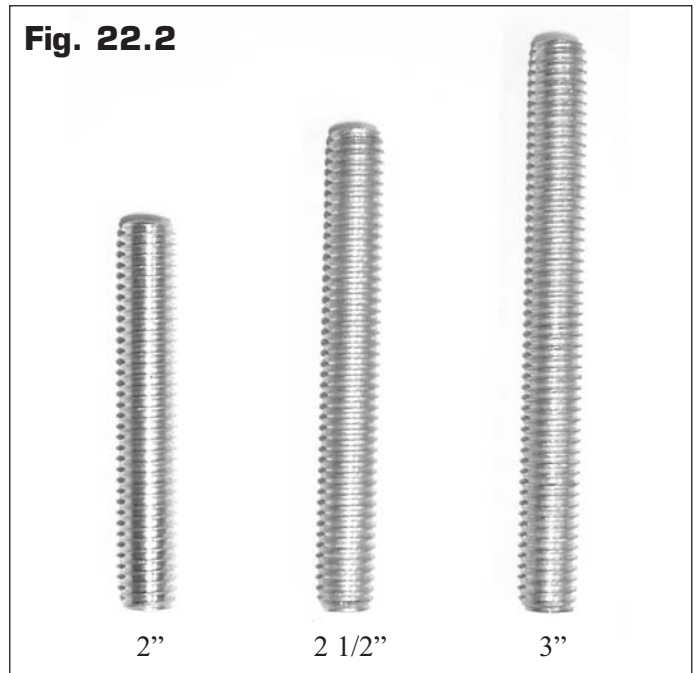
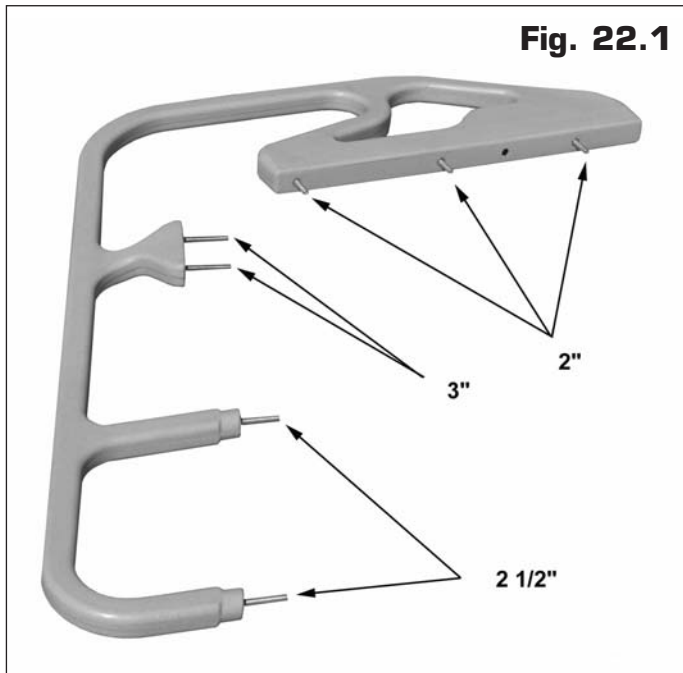
Anchor Bolt Configuration on Deck Shown Above

STEP 21: PLACE HELIX OVER THE DECK ANCHOR BOLTS

With the ladder and entry section still removed, carefully place the support pole and short leg receivers over the deck anchor bolts, place flat washer, lock washer and then nut from hardware kit G4C-104, and hand tighten.

STEP 22: REATTACH THE LADDER/ENTRY SUB-ASSEMBLY TO THE HELIX

First place the ladder foot receiver over the 3/8" deck anchor bolts. Align the 5 allthread bolts to the 5 holes in the helix and gently push through, reattach the ladder and entry section sub-assembly to the helix as previously described, only hand tighten the flange nuts at this time, then place a flat washer, lock washer and nut over the deck anchor bolts and hand tighten.



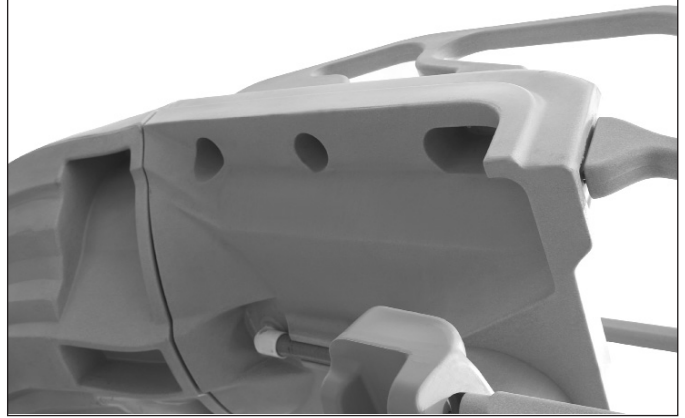
STEP 23: INSERT ALLTHREADS INTO THE HANDRAILS

Each handrail utilizes (7) 5/16" allthreads in three different lengths from hardware kit G4C-105. See Fig. 22.1 & 22.2. Ensure the correct length of allthread is used at each location as shown in Fig. 22.1 & 22.2. Hand tighten ONLY. Do not use a wrench or mechanical means of tightening the allthreads into the handrails.



STEP 24: ATTACH HANDRAILS TO THE LADDER/ENTRY SUB-ASSEMBLY

When the handrails are installed correctly the Inter-Fab logo will face to the outside. Insert the handrail into the top of the entry section first and then gently spread apart until the allthreads pass through the 7 holes. (See Fig. 23) The allthreads that pass through the entry section can be accessed through the holes located on the underside of the entry section. (Fig. 24) On the four allthreads that pass thru the steps place lock washer and flange nut, on the remaining 10 allthreads place just a flange nut and tighten.

Fig. 24**STEP 25: TIGHTEN ALL NUTS**

Provide a smooth and even sliding surface, then tighten all the nuts; to ensure even compression between surfaces, the nuts on the flanges and leg receivers should be tightened in an alternating fashion. Place protective rubber caps on all exposed nuts.

STEP 26: ATTACH 1" FLEX PVC TUBING TO STUB UP

It is recommended that the supplied valve be installed between the slide and the water source to allow the water flow to the slide to be adjusted as necessary.

STEP 27: PERFORM FINAL INSPECTION AS STATED BELOW**FINAL INSPECTION CHECK LIST:**

1. Measure the depth of the water in front of the slide exit and ensure it meets the minimum water depth and slide clearance as specified in figures A, B & C on page 3.
2. Ensure the slide is positioned correctly pursuant to figures D, E, F & G on pages 4-5.
3. Ensure the slide is securely anchored to the deck and stable.
4. Inspect the runway for visible cracks or tears, sharp edges or protrusions. Ensure the sliding surface is aligned and smooth, and the gaskets between the flanges are compressed uniformly.
5. Ensure the (2) 5" socket head bolts that secure the helix to the steel support pole are facing the correct direction as illustrated on page 10 and securely tightened.
6. Inspect the slide for loose or corroded fasteners, ensure a protective rubber cap covers each exposed nut.
7. Inspect all step attachment points making sure each step is properly seated on the nylon step support rod.
8. Inspect the ladder handrails for rigidity and attachment; can they be pulled out of their sockets.
9. Inspect the runway for any water leaks and adjust water flow for even water distribution across sliding surface, ensure water does not splash out side of the runway.
10. Make sure all the water running off the slide falls into the pool.
- 11 This installation is not considered complete until you, the installer, give the owner's manual to the customer and then go over the intended use instructions with them.

G-FORCE™ SLIDE CARE & MAINTENANCE:

Your slide requires periodic maintenance to keep it looking like new.

- Wash monthly or more frequently, if needed. Be careful to keep cleaning material from entering the pool.
- Wash with a mild soap such as hand dishwashing soap, avoid using strong cleaners or abrasives. Avoid strong alkaline (such as tri-sodium phosphate) or highly acidic cleaners. Avoid bleach and ammonia.
- Wax the slide once or twice a year with a good grade paste wax formulated for gel coat surfaces.*

*** These suggestions and data based on information believed to be reliable, from our raw materials manufacturers. They are offered in good faith, but without guarantee, as conditions and methods of use and procedures are beyond our control.**

LIMITED WARRANTY

Inter-Fab, Inc. will repair or replace, at its option, any product manufactured by Inter-Fab, Inc. that fails during the applicable warranty period because of a manufacturing or material defect; provided that the defect is not the result of improper installation, improper use or care, negligence or natural accidents (acts of God). The applicable warranty period for products manufactured by Inter-Fab, Inc. is three (3) years from the date of retail purchase, except as specified below:

Echoes of Nature™ products are individually handcrafted and painted by skilled artisans and as a result, dimensional differences and color variations are normal and are not a basis for warranty coverage. The warranty period for pumps sold with the Echoes of Nature™ products is three (3) years from the date of retail purchase.

Water Sports™ sports equipment warranty periods are as follows: Volleyball Poles, Basketball Post, Basketball Rim, and Basketball Backboard one (1) year from date of retail purchase; and Volleyball, Volleyball Net, Basketball, Basketball Net, and Pumps are warranted for ninety (90) days from date of retail purchase.

T7™ Edgewater™ and Lighted Edgewater™ features warranty period is one (1) year from date of retail purchase.

Zoomerang™ slide products warranty period is one (1) year from the date of retail purchase.

Build Your Own Slide™ (BYOS™) warranty period is one (1) year from the date of retail purchase.

City Slide™ products warranty period is one (1) year from the date of retail purchase.

Unless expressly stated otherwise all products manufactured by Inter-Fab are for residential installation and use only. Inter-Fab, Inc. expressly disclaims any and all warranties and liability arising from the installation or use of its residential products used in a commercial application. Products expressly manufactured for commercial installation and use will be subject to this limited warranty.

This limited warranty is in lieu of all other warranties, whether express or implied. Inter-Fab, Inc. disclaims any warranty of merchantability or fitness for a particular use, and noninfringement in relation to any of its products and Inter-Fab, Inc. is not liable for consequential, incidental or specific damages. This warranty is limited to the repair or replacement of the manufacturing or material defect, or refund of the original purchase price, whichever is less, at the sole option of Inter-Fab, Inc., and expressly does not cover any labor or reinstallation expenses related to the replacement of any and all Inter-Fab products. This limited warranty shall be the sole and exclusive remedy of irrespective of whether the claims are made in contract, tort, warranty, law, equity or by statute.

This warranty is to the original purchaser of the product only. Inter-Fab's limited warranty is neither transferable nor portable from consumer to consumer. The effective coverage date begins at the date of retail purchase. Product owner or representative must notify Inter-Fab, Inc. (or its wholesale agent) in writing, giving a full description of the nature of the product defect or failure along with proof of purchase, serial number(s) of the product and photos within thirty (30) days of the expiration of the applicable warranty period. Inter-Fab, Inc. reserves the right to physically inspect damaged or defective products or components to determine the cause of the damage or defect, prior to authorizing repair or replacement of its products.

INTER-FAB
inter-fab.com

3050 S. Alvernon Way • Tucson, AZ 85713

520.790.7040 • 800.737.5386 • Fax 520.790.7127 • inter-fab.com