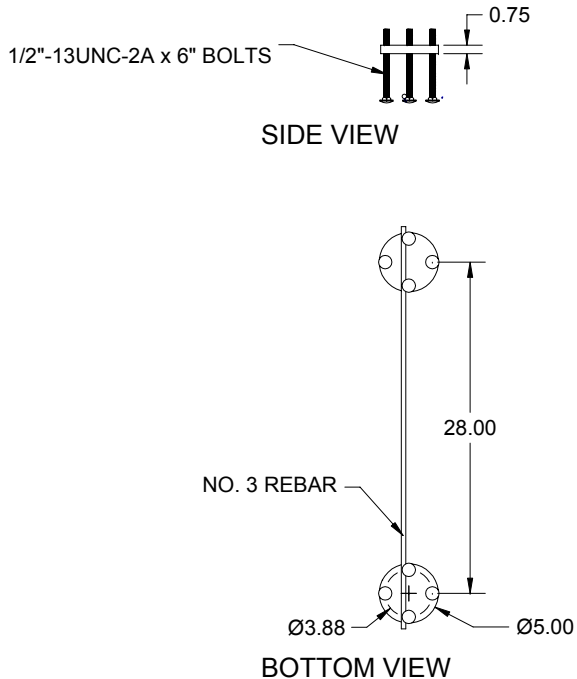
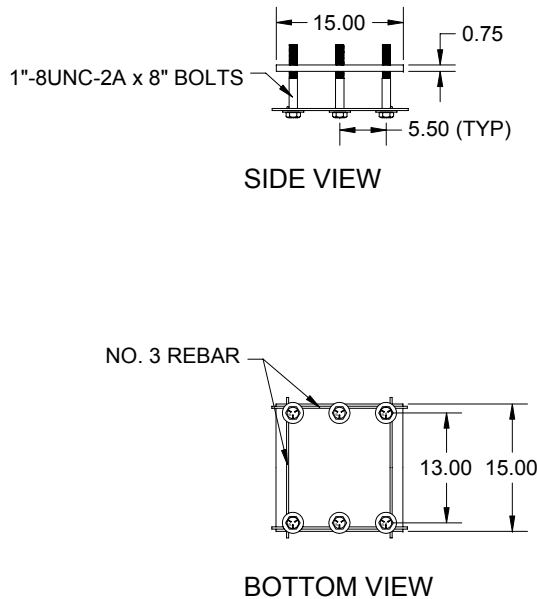


## Deluxe Diving Tower Anchor Assembly

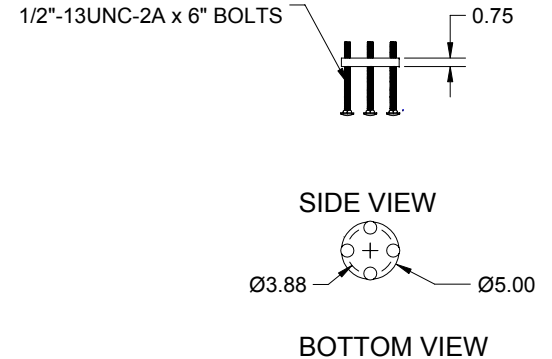
Ladder Anchor Assembly (p/n 13-105)  
 (Used in left, right, and dual mount towers)



Front Post Assembly (p/n 12-108)  
 (Used in left, right, and dual mount towers)



Heel Post Assembly (p/n 13-106)  
 (Used in left and right mount towers)



**Specification:** The anchor is constructed of carbon steel. No. 3 rebar is spot welded to six (6) 1" x 8 zinc plated carbon steel bolts to form the 3/4" thick (19.1mm) front post anchor assembly. Rebar is spot welded to 1/2" x 6 zinc plated bolts to form the 3/4" x 5 dia. (19.1mm x 127) ladder anchor assembly plates. The heel post anchor assembly is also constructed of a 3/4" x 5 dia. (19.1mm x 127) plate with four (4) 1/2" x 6 zinc plated bolts.

**Shipping Weight:** N/A

Specification Number:	<b>SRS 906</b>		
Product Description:	<b>Deluxe Diving Tower Anchor Assembly</b>		
S.R. Smith Part Number:	<b>12-108, 13-105, 13-106</b>	Scale:	NTS
Revision:	A	Date:	05/01/03
Written By:	T. Weil	Date:	05/01/03
Approved By:	B. Bisceglia	Date:	05/05/03
Page 1 of 1	Proprietary and confidential: The information contained in this specification is the sole property of S.R. Smith LLC. Any reproduction in part or whole without the written consent of S.R. Smith LLC is prohibited.		

**S.R. Smith, LLC**  
 P.O. Box 400, 1017 SW Berg Parkway  
 Canby, Oregon 97013  
 Tel: (888) 677-7776 (503) 266-2231  
 Fax: (503) 266-4334  
 www.srsmith.com