

## HEAVY DUTY REEL SYSTEMS FOR COMMERCIAL AND LARGE RESIDENTIAL POOLS UP TO 125' LONG

### COVERING A LARGE POOL MAKES GOOD SENSE!

Controlling heat loss with a solar blanket maintains more even water temperature, while also controlling heating expenses, water evaporation and chemical consumption.

### BUILT TO MAKE IT EASY!

With the young age of many pool attendants it is important that blanket handling be made easy. FEHERGUARD Commercial Solar Reels are engineered to handle the heavy load. The effort to roll up a heavy blanket is minimized by the ball-bearing axle design. Large 4" locking casters makes maneuvering around the pool easy. The end frames are built from sturdy non-rusting aluminum tubing in a "slimline" design and white durable finish that look good around the pool setting.

### PLANNING MULTIPLE REELS FOR BIG POOLS

The following chart indicates both the maximum amount of blanket width and length each reel will hold. The minimum telescopic reach is also indicated. Measure the pool, and if the longest section is wider than 30', use two reels set at half the pool width. It is best to have both reels at the same width. A narrower reel is easier to move and store. A throw-rope may be required to pull the blanket across a pool extension that impedes walking the blanket back onto pool. (SEE ILLUSTRATION ON BACK)

S		Y		S		T		E		M		S	
Blanket size limitation:				(min./max. reach)		Code End/Tube		# Ctns		Wt. Lbs.			
20' x 125'	2500 sq. ft.,	150 lbs.	< 20' pools (12' to 21')	FGC / C20	2	72							
25' x 100'	2500 sq. ft.,	140 lbs.	< 25' pools (24' to 26')	FGC / C25	3	83							
30' x 80'	2400 sq. ft.,	140 lbs.	< 30' pools (24' to 31')	FGC / C30	3	95							
12' x 125'	1500 sq. ft.,	90 lbs.	< 12' tube	FGC / C12	2	48							

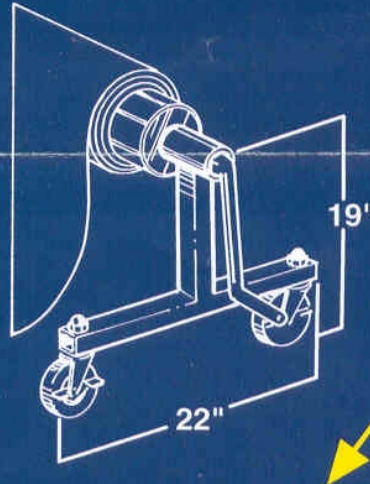
Wall mounting is possible by removing the casters.

C		O		M		P		O		N		E		N		T		S	
ENDS	Single			FGC		1		20											
TUBES	< 12' pools	12' tube (non-telescopic)		FG-C12		1		28											
	< 20' pools	12' to 21'		FG-C20		1		52											
	< 25' pools	24' to 26'		FG-C25		2		63											
	< 30' pools	24' to 31'		FG-C30		2		75											

**WARRANTY:** FEHERGUARD Commercial Solar Reels are warranted for three years against defects of material and workmanship, and to perform within the specifications outlined. FEHERGUARD is a leader and founding developer of Solar Reel Systems in North America, so accessories and most parts will always be available. Specifications subject to change without notice.

### HEAVY DUTY TELESCOPIC TUBES

FEHERGUARD Commercial Tubes are built to handle the heavy wide blanket load with minimal deflection. Extra rigidity is provided with FEHERGUARD'S patented "rib-locking" tube design. The "SILVER-GUARD" anodized finish guards against chemical corrosiveness, while providing an attractive silver lustre.



**HEAVY DUTY  
6 INCH TUBE**

**QUALITY AND  
HEAVY DUTY RIGIDITY  
MAKES COMMERCIAL SOLAR  
BLANKET HANDLING EASY WITH  
A FEHERGUARD REEL!**

Actual Tube Size

Printed in Canada Patent # CAN1123704, US4324370 02/98