



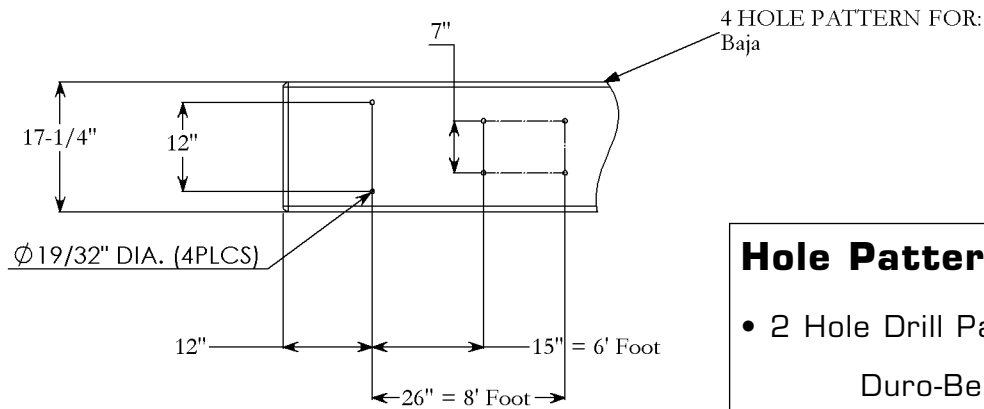
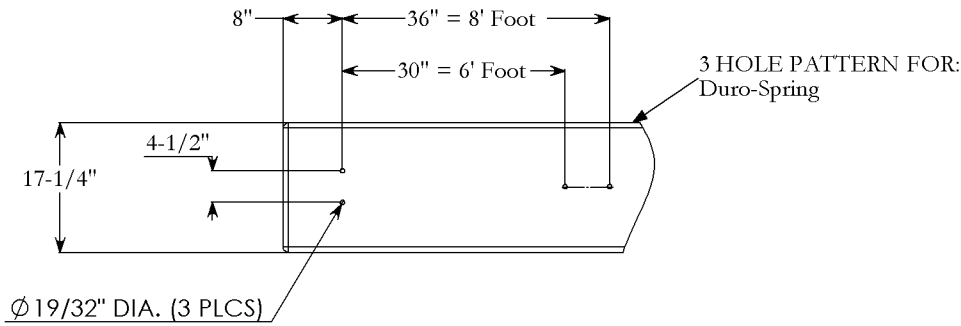
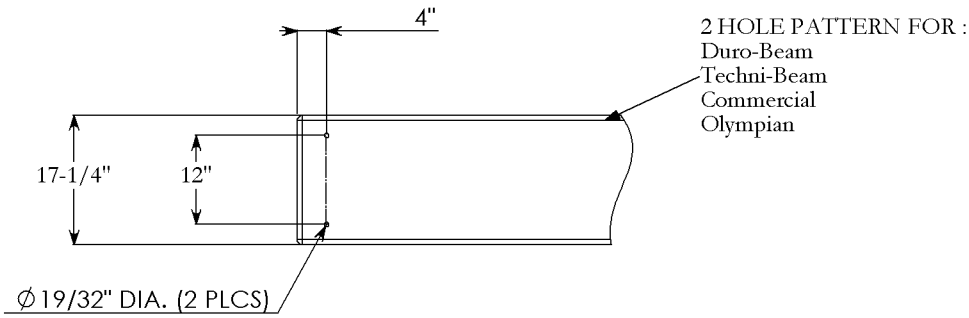
There are 5 Types of Diving Board Construction:

- Duro-Beam (6', 8', 10')
- Duro-Spring (6', 8')
- Techni-Beam (6', 8', 10', 12')
- Baja (6', 8')
- Olympian (6', 8', 10')



- Commercial (10', 12', 14', 16')

SPECIAL NOTE: Diving boards (including spring boards, jump boards and starting platforms) shall be installed only on pools meeting or exceeding minimum requirements for the various pool types as outlined in the current edition of ANSI/NSPI-1 (for public pools), ANSI/NSPI-5 (for residential pools). In addition, all installations must meet or exceed applicable local codes and comply with Inter-Fab written instructions.



Hole Patterns/Boards:

- 2 Hole Drill Pattern - available on
 Duro-Beam 6', 8' & 10'
 Techni-Beam 6', 8', 10' & 12'
 Olympian 6', 8' & 10'
 Commercial 10', 12', 14' & 16'
- 3 Hole Drill Pattern - available on
 Duro-Spring 6' & 8'
- 4 Hole Drill Pattern - available on
 Baja Jump Board 6' & 8'
- Custom Drill Pattern Available



DIVING BOARD CUSTOM DRILL PATTERN DIMENSION FORM

Please provide the necessary dimensions needed to make the requested custom drill pattern. Custom drilled boards are non-returnable and carry the same 3 year warranty as Inter-Fab's standard products.

Pool Professional: Fax this to your wholesale distributor.

Wholesale Distribution Only: Fax to Inter-Fab, Inc. Diving Board Department.

Please check requested hole pattern: 2 Hole Board** 3 Hole Board 4 Hole Board

_____ **A** = Length of Board

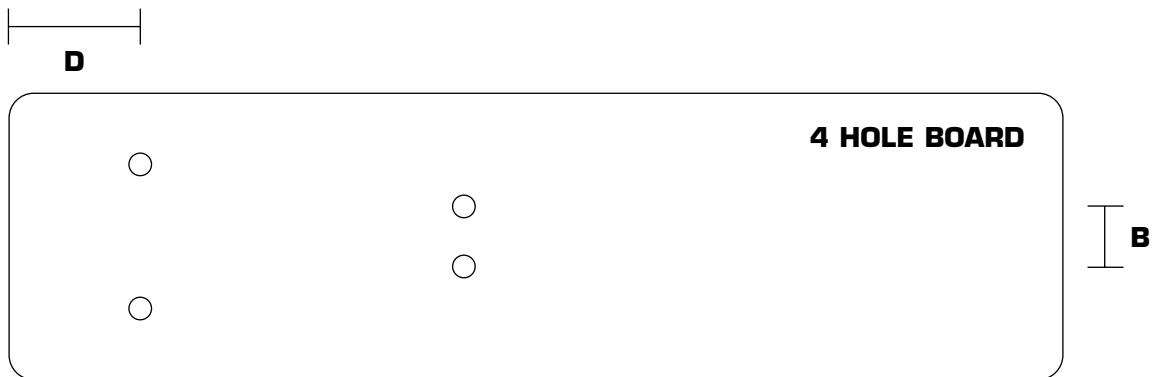
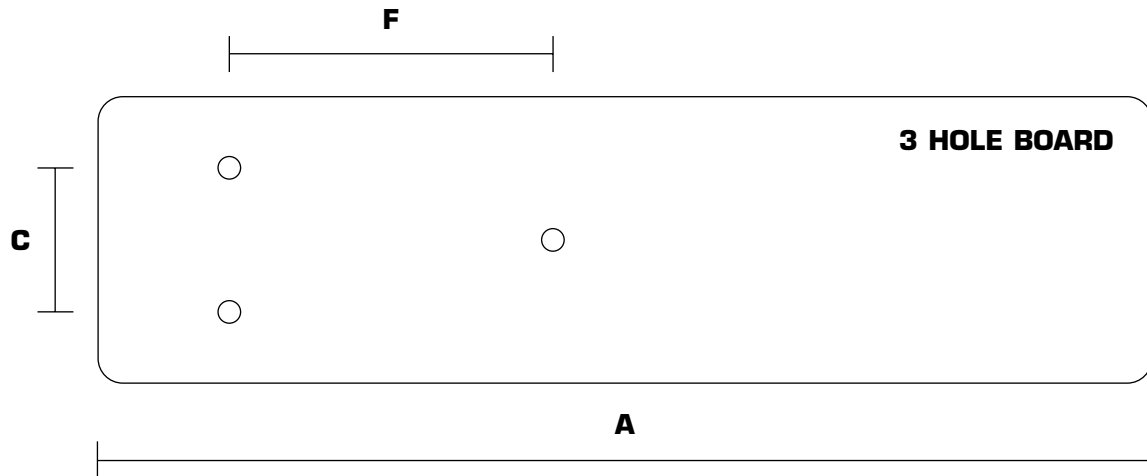
_____ **B** = Measurement of Front Holes on Center

_____ **C** = Measurement of Back Holes on Center

_____ **D** = Measurement of Back Holes to Back End of Board

_____ **F** = Measurement Between Back Holes and Front Holes on Center

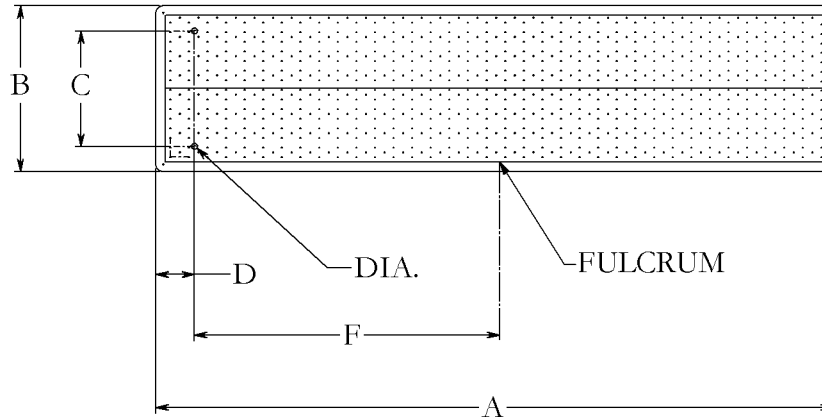
****For a Custom 2 Hole Board - you will need to provide measurements A, C and D only.**



Customer Signature _____ **Date** _____

Inter-Fab Inc. 3050 S. Alvernon Way • Tucson, AZ 85713 • 800.737.5386 • 520.790.7127 FAX

OTHER MANUFACTURER'S TWO-HOLE DIVING BOARD DIMENSIONS



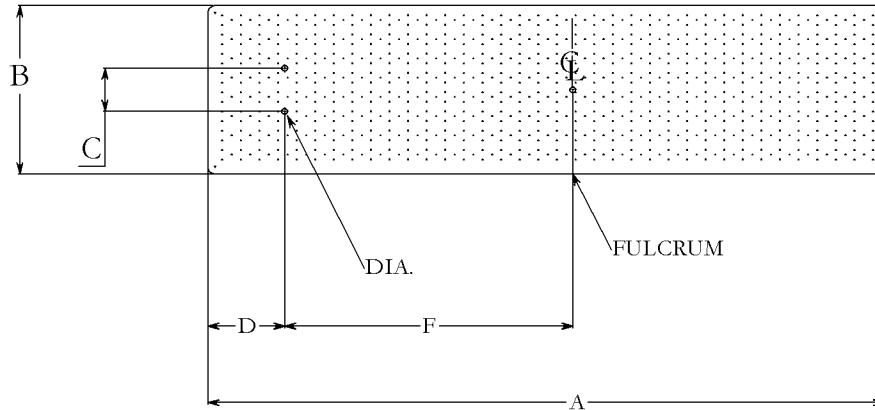
CURRENT DIVING BOARDS

Model #	A	B	C	D	F	DIA.
Residential Pool Boards						
6' Frontier II	70.50"	17.25"	10.00"	4.00"	30.00"	19/32"
6' Fibre-Dive & Glas-Hide	70.50"	17.25"	12.00"	4.00"	30.00"	19/32"
8' Fibre-Dive & Glas-Hide	94.50"	17.25"	12.00"	4.00"	40.00"	19/32"
10' Fibre-Dive & Glas-Hide	118.50"	17.25"	12.00"	4.00"	52.00"	19/32"
12' Fibre-Dive & Glas-Hide	142.50"	17.25"	12.00"	4.00"	62.00"	19/32"
Public Pool Boards						
10' Commercial	118.50"	17.25"	12.00"	4.00"	52.00"	19/32"
12' Commercial	142.50"	17.25"	12.00"	4.00"	62.00"	19/32"
14' Commercial & Eureka	166.50"	19.25"	12.00"	4.00"	74.00"	19/32"
16' Commercial & Eureka	190.50"	19.25"	12.00"	4.00"	86.00"	19/32"
8' Aluminum	96.00"	18.00"	12.00"	4.00"	40.00"	19/32"
10' Aluminum	120.00"	18.00"	12.00"	4.00"	52.00"	19/32"
12' Aluminum	144.00"	18.00"	12.00"	4.00"	62.00"	19/32"
14' Aluminum	168.00"	20.00"	12.00"	4.00"	74.00"	19/32"
16' Aluminum	192.00"	18.00"	12.00"	4.00"	86.00"	19/32"

OBSOLETE DIVING BOARDS

Model #	A	B	C	D
AB-6F	6'	16.00"	10.00"	3.00"
AB-8	8'	18.00"	12.00"	4.00"
AB-10	10'	18.00"	12.00"	4.00"
AB-12	12'	18.00"	12.00"	4.00"
ABO-XII	12'	20.00"	12.00"	4.00"
ABO-XIV	14'	20.00"	12.00"	4.00"
ABO-XVI	16'	20.00"	12.00"	4.00"

OTHER MANUFACTURER'S THREE-HOLE DIVING BOARD DIMENSIONS



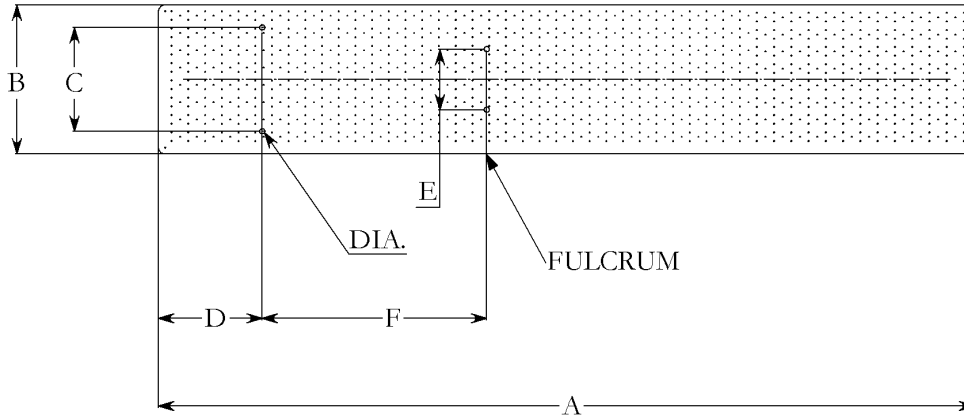
CURRENT JUMP BOARDS

Model #	A	B	C	D	F	DIA.
6' Anthony	70.50"	17.25"	12.00"	3.25"	20.50"	19/32"
8' Anthony	94.50"	17.25"	12.00"	3.25"	30.50"	19/32"
6' Frontier II	70.50"	17.25"	4.50"	8.00"	30.00"	19/32"
8' Frontier II	94.50"	17.25"	4.50"	14.00"	36.00"	19/32"

OBSOLETE JUMP BOARDS

Model #	A	B	C	D	F	DIA.
6' Pioneer	70.50"	17.25"	12.00"	12.00"	15.00"	19/32"
6' Frontier	70.50"	17.25"	12.00"	12.00"	18.00"	19/32"
8' Frontier	94.50"	17.25"	12.00"	12.00"	30.00"	19/32"
ASB-40-3-1	4.5'	16.00"	4.50"	3.50"	27.00"	
ASB-60-3-1	6'	16.00"	4.50"	8.00"	30.00"	
ASB-80-3-1	8'	18.00"	4.50"	14.50"	36.00"	
ACB-4	4'	16.00"	4.50"	4.50"	16.00"	
ACB-6	6'	16.00"	4.50"	8.00"	30.00"	
ACB-8	8'	18.00"	4.50"	14.50"	36.00"	
ACB-50M-4	4'	16.00"	10.00"	3.00"	16.00"	
ACB-50M-6	6'	16.00"	10.00"	4.00"	30.00"	
ACB-50M-8	8'	18.00"	10.00"	4.00"	36.00"	
KKJ-40/50M-4	4'	16.00"	12.00"	4.00"	16.00"	
KKJ-40/50M-6	6'	16.00"	12.00"	12.00"	15.00"	
KKJ-50M-8	8'	18.00"	12.00"	12.00"	29.50"	
Marine 6'	6'	16.00"	12.00"	12.00"	15.00"	
Marine 8'	8'	18.00"	12.00"	12.00"	29.50"	
6' Continental Single Spring	6'	16.00"	12.00"	12.00"	15.00"	
8' Continental Single Spring	8'	18.00"	12.00"	12.00"	29.50"	
6' DBS Single Spring	6'	16.00"	12.00"	12.00"	15.00"	
8' DBS Single Spring	8'	18.00"	12.00"	12.00"	29.50"	
6' Anthony Single Spring	6'	16.00"	12.00"	6.00"	20.50"	
8' Anthony Single Spring	8'	18.00"	12.00"	6.00"	30.50"	

OTHER MANUFACTURER'S FOUR-HOLE DIVING BOARD DIMENSIONS



CURRENT JUMP BOARDS

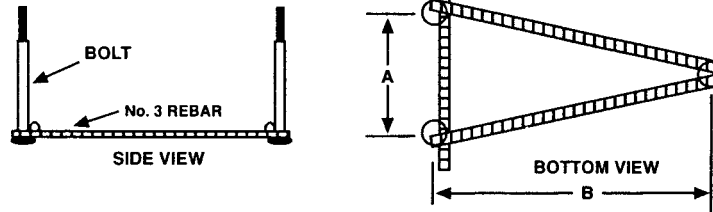
Model #	A	B	C	D	E	F	DIA.
6' Baja	70.50"	17.25"	12.00"	12.00"	7.00"	15.00"	7/16"
8' Baja	94.50"	17.25"	12.00"	12.00"	7.00"	26.00"	7/16"

OBSOLETE JUMP BOARDS

Model #	A	B	C	D	E	F	DIA.
4' Baja	46.50"	17.25"	12.00"	12.00"	7.00"	7.00"	7/16"
6' Space Maker	70.50"	17.25"	12.00"	12.00"	12.00"	30.50"	19/32"
8' Space Maker	94.50"	17.25"	12.00"	20.00"	12.00"	30.50"	19/32"
Gazelle	94.50"	17.25"	12.00"	10.00"	12.00"	20.00"	19/32"
ASB-40-3	4'	16.00"	4.50"	3.50"	4.50"	27.00"	
ASB-60-3	6'	16.00"	4.50"	8.00"	4.50"	30.00"	
ASB-80-3-1	8'	18.00"	4.50"	12.00"	4.50"	36.00"	
6' DBS Double Spring	6'	16.00"	12.00"	6.00"	10.50"	24.00"	
8' DBS Double Spring	8'	18.00"	12.00"	6.00"	10.50"	36.00"	
6' Swimline Double Spring	6'	16.00"	12.00"	6.00"	10.50"	24.00"	
8' Swimline Double Spring	8'	18.00"	12.00"	6.00"	10.50"	36.00"	
6' Old Style Double Spring	6'	18.00"	12.00"	8.00"	12.00"	30.00"	
8' Old Style Double Spring	8'	18.00"	12.00"	12.00"	12.00"	36.00"	

OTHER MANUFACTURER'S JIG INFORMATION

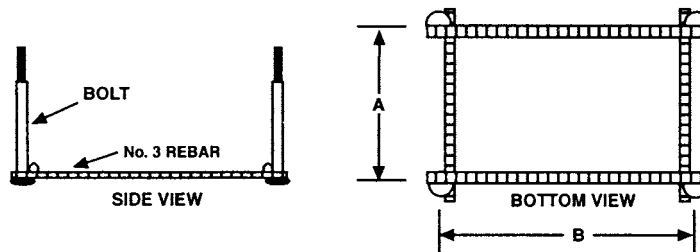
THREE-BOLT



Jig Type	Jig Part #	A	B	BOLT
6' Flyte Deck	71-209-700	6.50"	14.00"	1/2" x 6" Carriage
8' Flyte Deck	71-209-702	6.50"	22.00"	1/2" x 6" Carriage
10' Flyte Deck	71-209-703	6.50"	31.00"	1/2" x 6" Carriage
New 8' Flyte Deck	71-209-704	6.50"	24.00"	1/2" x 6" Carriage
6' & 8' Frontier II Spring	69-209-227	3.25"	6.00"	5/8" x 6" Carriage
** 4' Cobra Coil	67-521-10	18.00"	16.00"	1/2" x 6" Carriage
** 6' Cobra Coil	67-521-10	18.00"	30.00"	1/2" x 6" Carriage
** 8' Cobra Coil	67-521-10	18.00"	36.00"	1/2" x 6" Carriage
** 4' Aqua Coil	02-946-11	4.50"	16.00"	1/2" x 6" Carriage

** OBSOLETE JIG

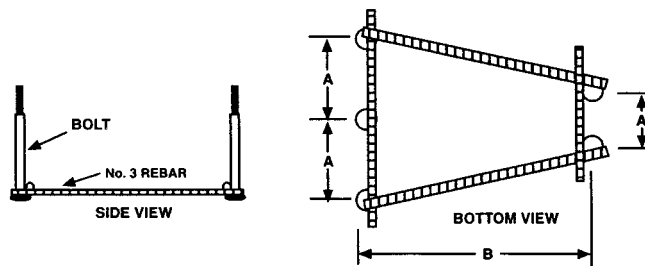
FOUR-BOLT



Jig Type	Jig Part #	A	B	BOLT
606/608 Steel	69-209-006	12.00"	12.00"	1/2" x 6" Carriage
606-F	69-209-007	14.00"	14.00"	1/2" x 7" Carriage
** 6' x 8" Frontier II Steel Pedestal	69-209-229	6.00"	12.00"	5/8" x 6" Carriage
** 6' Frontier II Fiberglass	69-209-224	5.00"	6.00"	1/2" x 7" Carriage
8' Frontier II Fiberglass	69-209-225	5.00"	12.00"	1/2" x 7" Carriage
** 10' Frontier II Fiberglass	69-209-226	6.00"	26.50"	1/2" x 7" Carriage
** AJ-6' & AJ-8' CPB or DPB	67-971-10	8.00"	12.00"	1/2" x 6" Carriage
** AJ6'-FB	67-971-11	15.00"	15.00"	1/2" x 6" Carriage

** OBSOLETE JIG

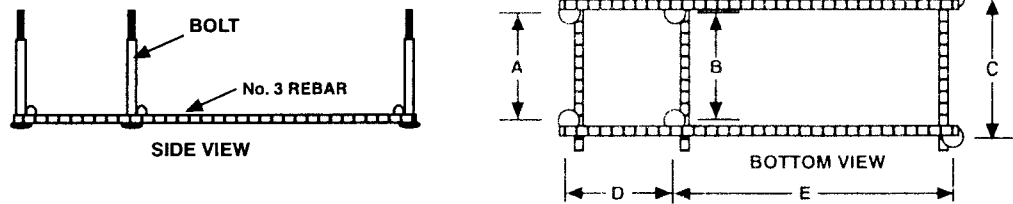
FIVE-BOLT



Jig Type	Jig Part #	A	B	C	BOLT
6' Chevron	71-209-726	4.00"	5.00"	14.00"	1/2" x 6" Carriage
8' Chevron	71-209-728	4.00"	5.00"	22.00"	1/2" x 6" Carriage
10' Chevron	71-209-730	4.00"	5.00"	27.00"	1/2" x 6" Carriage

OTHER MANUFACTURER'S JIG INFORMATION

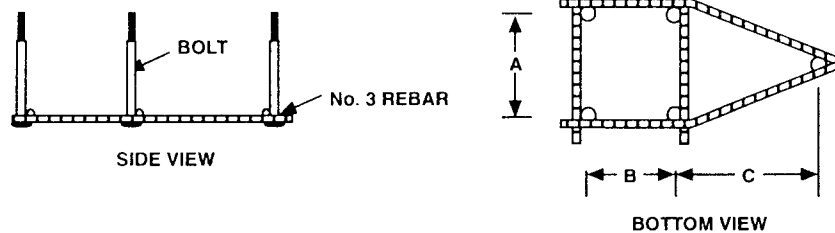
SIX-BOLT



Jig Type	Jig Part #	A	B	C	D	E	BOLT
** 4' Baja	69-209-698	6.50"	6.50"	8.50"	6.50"	9.00"	1/2" x 6" Carriage
6' Baja	69-209-699	6.50"	6.50"	8.50"	6.50"	16.75"	1/2" x 6" Carriage
8' Baja	69-209-700	6.50"	6.50"	8.50"	6.50"	27.25"	1/2" x 6" Carriage
Steel Meter	71-209-541	4.00"	6.50"	10.00"	3.00"	17.00"	1/2" x 6" Carriage
** 6' Frontier	69-209-676	6.50"	6.50"	6.50"	6.50"	17.50"	1/2" x 6" Carriage
** 6' Pioneer		6.50"	8.00"	6.50"	6.50"	15.50"	1/2" x 5-1/2" Carriage
** Frontier & Pioneer	69-209-678	6.50"	6.50"	6.50"	6.50"	29.50"	1/2" x 6" Carriage

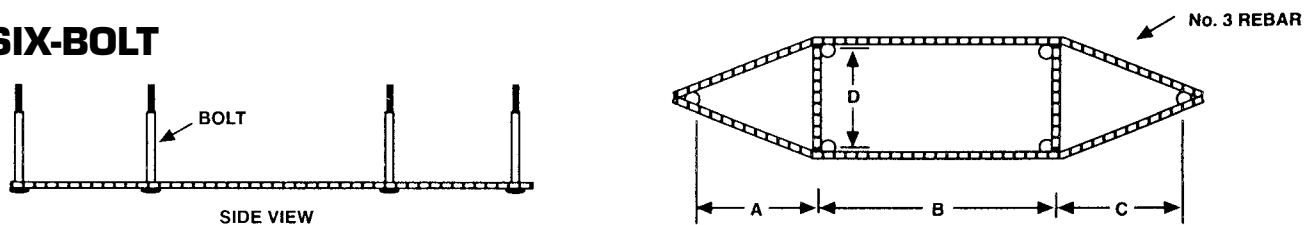
**** OBSOLETE JIG**

FIVE-BOLT



Jig Type	Jig Part #	A	B	C	BOLT
KKJ-40M-4	67-550-11	6.50"	6.50"	7.50"	1/2" x 5" Carriage

SIX-BOLT



Jig Type	Jig Part #	A	B	C	D	BOLT
** ADC-50M-8F	02-970-11	4.00"	15.50"	4.00"	4.25"	1/2" x 6" Carriage
** ADC-50-10F	02-970-11	4.00"	15.50"	4.00"	4.25"	1/2" x 6" Carriage
** ADC-66M-1012F	02-970-11	4.00"	15.50"	4.00"	4.25"	1/2" x 6" Carriage
** ADC-50M-8	02-971-10	4.00"	15.50"	4.00"	4.25"	1/2" x 6" Carriage
** ADC-50M-810	02-971-10	4.00"	15.50"	4.00"	4.25"	1/2" x 6" Carriage
** ADC-75M-1012	02-971-10	4.00"	15.50"	4.00"	4.25"	1/2" x 6" Carriage
** ADC-100M-1012	02-971-10	4.00"	15.50"	4.00"	4.25"	1/2" x 6" Carriage

**** OBSOLETE JIG**

NSPI - POOL SPECIFICATIONS FOR DIVING EQUIPMENT

Minimum unobstructed head room from the top of the manufactured diving equipment shall be provided for diving in accordance with Table 1 unless greater dimensions are called for by the manufacturer.

**TABLE 1
MINIMUM HEAD ROOM ABOVE DIVING AREA**

POOL TYPE	MINIMUM HEAD ROOM ABOVE DIVING SURFACES
I	12 FEET (3.7)
II	12 FEET (3.7)
III	13 FEET (4 m)
IV	13 FEET (4 m)
V	14 FEET (4.3 m)

5.10 Drawings and Diagrams for Minimum Diving Water Envelope for Swimming Pools Designated Type I - V. See Figure 5 and Appendix J for individual pool types.

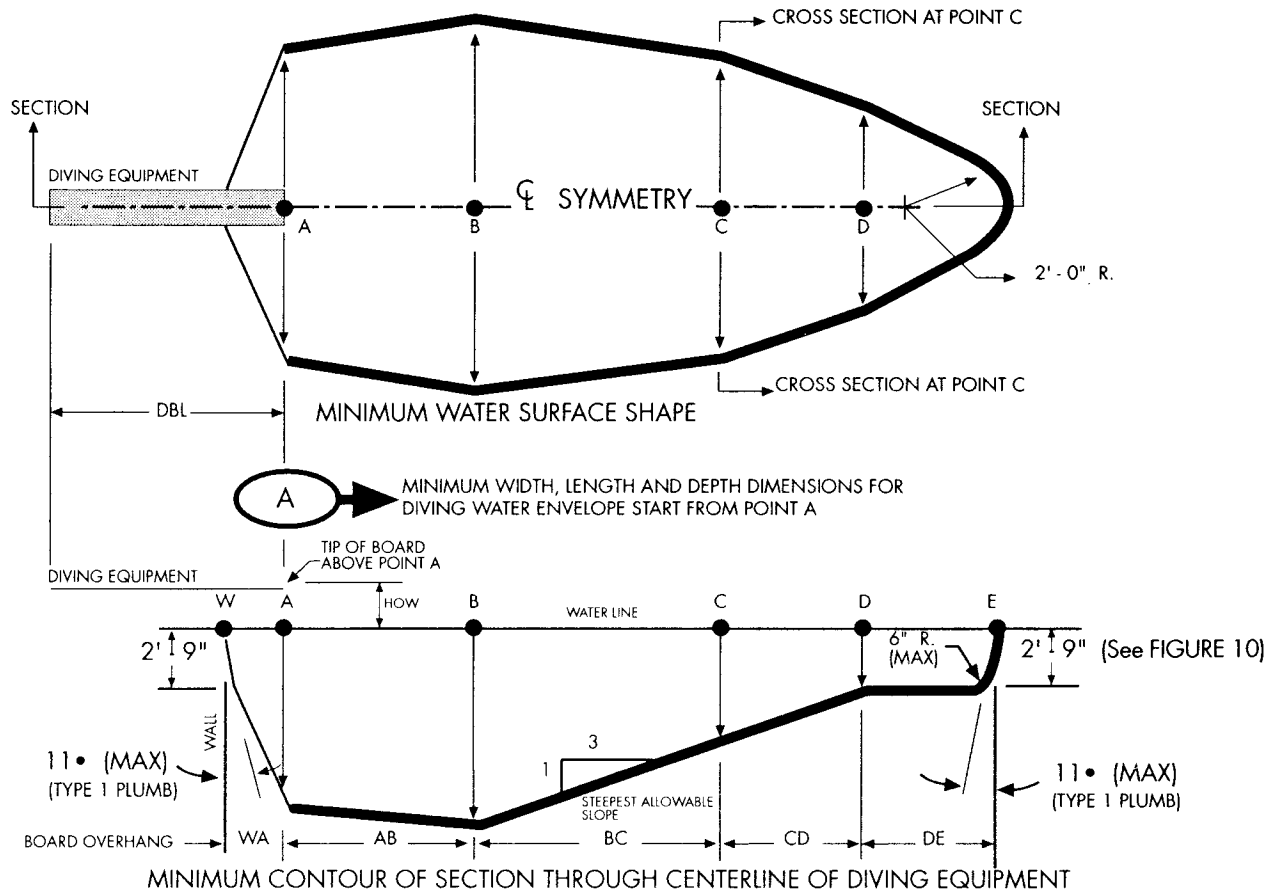
5.10.1 **Point A:** Point A is the point from which all other forward dimensions of width, length and depth are then established for the Minimum Diving Water Envelope. If the tip of the diving board or diving platform overhang is located at a distance of WA or greater from the deep end wall and the water depth at that location is equal to or greater than the water depth requirement at Point A **See Table 2**, then the point on the water surface directly below the center of the tip of the diving platform shall be identified as Point A.

5.10.2 **Location of Point A:** The minimum Diving Water Envelope dimensions for pools with manufactured diving equipment shall be taken from Point A as shown in **Figure 5**. Point A shall be defined as the point on the water surface where the water depth is required for Point A and is provided at a distance of WA as shown in **Table 2** from the deep end wall. The center of the tip of the diving board shall be located directly above point A.

5.10.3 **Typical Design Configurations:** Vinyl liner, shotcrete, fiberglass and concrete constructions shall conform to, but not be limited to, the typical design configurations shown in **Figure 6**.

NSPI - POOL SPECIFICATIONS FOR DIVING EQUIPMENT

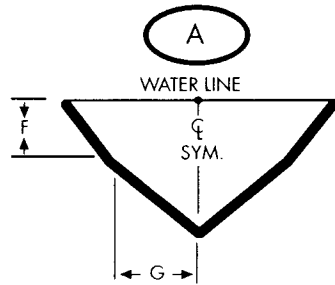
**FIGURE 5
MINIMUM DIVING WATER ENVELOPE**



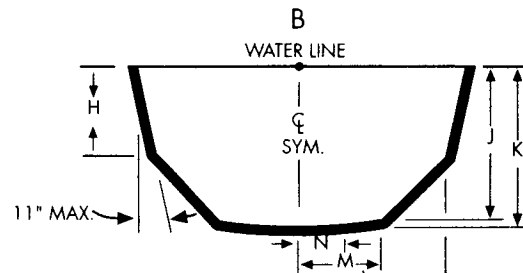
POOL TYPE	MAX. DIVING BOARD LENGTH	MAX. HEIGHT OVER WATER	MINIMUM DEPTHS AT POINT				MINIMUM WIDTHS AT POINT				MINIMUM LENGTHS BETWEEN POINTS					
	DBL**	HOW**	A	B	C	D	A	B	C	D	WA	AB	BC	CD*	DE	WE
0	DIVING EQUIPMENT IS PROHIBITED															
I	6' DB/6' JB	20'	6'-0"	7'-6"	5'-0"	2'-9"	10'-0"	12'-0"	10'-0"	8'-0"	1'-6"	7'-0"	7'-6"	VARIABLES	6'-0"	28'-9"
II	8' DB/6' JB	20'	6'-0"	7'-6"	5'-0"	2'-9"	12'-0"	15'-0"	12'-0"	8'-0"	1'-6"	7'-0"	7'-6"	VARIABLES	6'-0"	28'-9"
III	10' DB/8' JB	26'	6'-10"	8'-0"	5'-0"	2'-9"	12'-0"	15'-0"	12'-0"	8'-0"	2'-0"	7'-6"	9'-0"	VARIABLES	6'-0"	31'-3"
IV	10' DB/8' JB	30'	7'-8"	8'-6"	5'-0"	2'-9"	15'-0"	18'-0"	15'-0"	9'-0"	2'-6"	8'-0"	10'-6"	VARIABLES	6'-0"	33'-9"
V	12' DB/8' JB	40'	8'-6"	9'-0"	5'-0"	2'-9"	15'-0"	18'-0"	15'-0"	9'-0"	3'-0"	9'-0"	12'-0"	VARIABLES	6'-0"	36'-9"

NSPI - POOL SPECIFICATIONS FOR DIVING EQUIPMENT

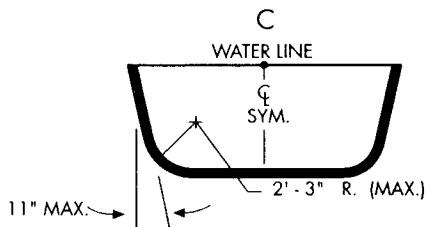
**FIGURE 5
MINIMUM DIVING WATER ENVELOPE**



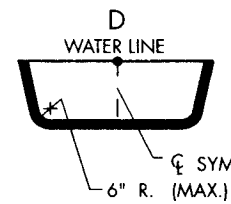
CROSS SECTION AT POINT A



CROSS SECTION AT POINT B



CROSS SECTION AT POINT C



CROSS SECTION AT POINT D

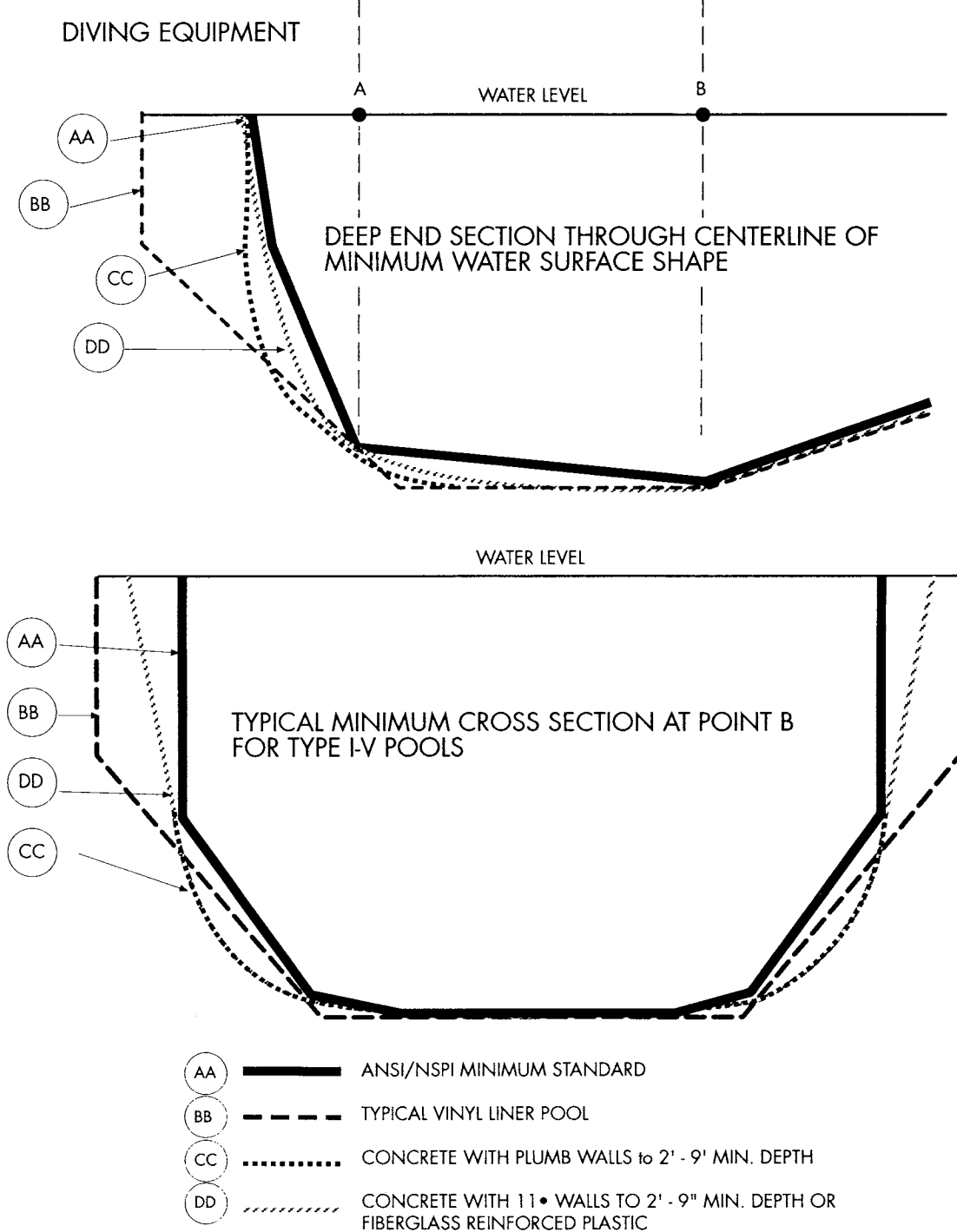
CROSS SECTIONAL DIMENSIONS AT POINT A			CROSS SECTIONAL DIMENSIONS AT POINT B					POOL TYPE
F	G	H	J	K	L	M	N	
DIVING EQUIPMENT IS PROHIBITED								0
2'-9"	5'-0"	4'-0"	7'-2 1/2"	7'-6"	6'-0"	3'-9"	2'-1 1/2"	I
2'-9"	3'-10"	4'-2"	7'-2 1/2"	7'-6"	6'-8"	3'-9"	2'-1 1/2"	II
2'-9"	4'-4 3/4"	4'-4 1/2"	7'-5 1/2"	8'-0"	6'-7"	3'-11 1/2"	1'-7 1/2"	III
2'-9"	5'-10 1/2"	3'-10"	7'-8"	8'-6"	8'-3"	5'-7"	2'-7"	IV
2'-9"	6'-2"	3'-11 1/2"	7'-9 1/2"	9'-0"	8'-2 1/2"	5'-9"	2'-1"	V

Note:

1. See Appendix J for Individual Pool Type Minimum Diving Water Envelopes.
- * 2. Min. length between points CD may vary based upon water depth at point D and the slope between points C & D.
- ** 3. **ABBREVIATIONS:** DBL= Diving Board Length, DB= Diving Board, JP= Jump Board, HOW= Height Over Water
4. **IMPORTANT:** The walls of a Type I Pool, when defining the Maximum Diving Water Envelope shall be plumb.
5. Figure 5 drawings are not to scale.
6. All dimensions are minimum, except where noted as maximum.
7. One half (1/2) the width shown at each point shall be available on each side of the diving equipment centerline.
8. Minimum water depth under tip of diving board (point A) is important to maintain.

NSPI - POOL SPECIFICATIONS FOR DIVING EQUIPMENT

**FIGURE 6
MINIMUM DIVING WATER ENVELOPE**

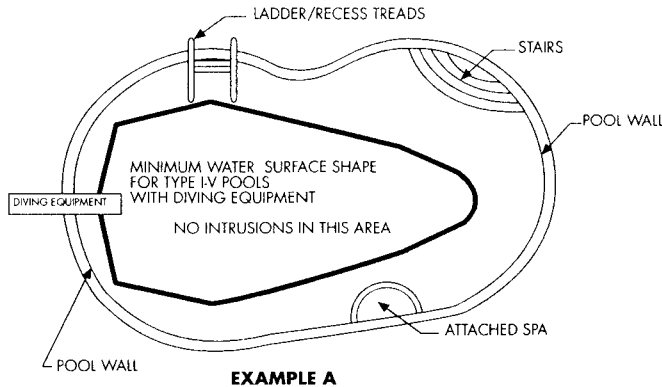


Note:

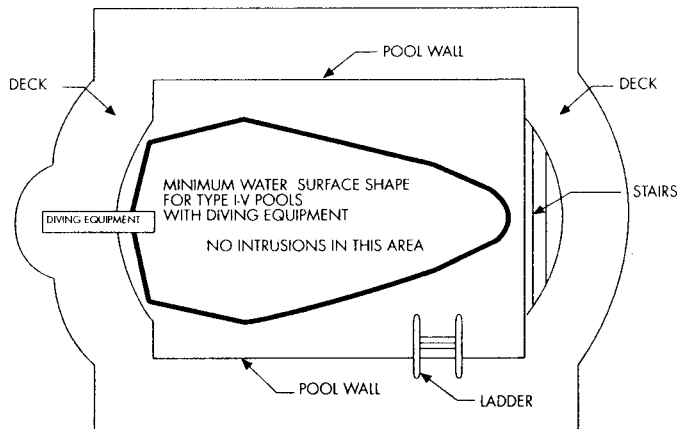
Figure 6 shows how various construction types meet ANSI/NSPI minimum standards. The cross Section at Point A/B are shown. Compliance at Points C and D are similar, with the basic requirement that the construction does not encroach on ANSI/NSPI minimum standards. Construction may exceed ANSSI/NSPI standards to fit the construction type or pool design as necessary.

NSPI - POOL SPECIFICATIONS FOR DIVING EQUIPMENT

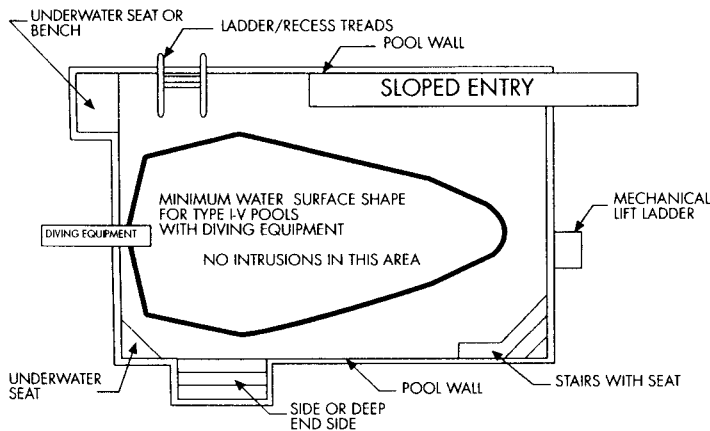
**FIGURE 7
MINIMUM DIVING WATER ENVELOPE**



EXAMPLE A



EXAMPLE B



EXAMPLE C

5.10.4 All dimensions equal to, longer than, deeper than and wider than the Minimum Diving Water Envelope, shall be acceptable, provided that Articles 5.6.1, 5.6.2, and 5.6.3 are met.

5.10.5 Type 0 pool (where diving is prohibited) shall not be limited in width, length, or water depth except as specifically provided for in this standard.

5.10.6 **Entries/Exits:** Steps, pool stairs, ladders, underwater benches, special features and other accessory items shall be located outside the Minimum Diving Water Envelope as shown in Figure 7, if the pool is designed for use with diving equipment.

5.11 **Stationary Diving Platform(s) and Diving Rock(s):** Stationary Diving Platform(s) and Diving Rock(s) built on sight shall be located in the diving area of the pool. Point A (see Articles 5.10.1, 5.10.2, and Figure 5) shall be 18 inches (457mm) in front of the wall at the platform or diving rock centerline. **For consumer safety information, warning and education programs, See Appendices D, E, F, G.** The maximum height of the stationary diving platform or diving rock above the waterline shall be as follows:

Pool Type I -	42" (1067mm)
Pool Type II -	42" (1067mm)
Pool Type III -	50" (1270mm)
Pool Type IV -	60" (1524mm)
Pool Type V -	69" (1753mm)

5.11.1 Stationary Diving Platform(s) and Diving Rock(s) shall not be permitted on Pool Type 0.

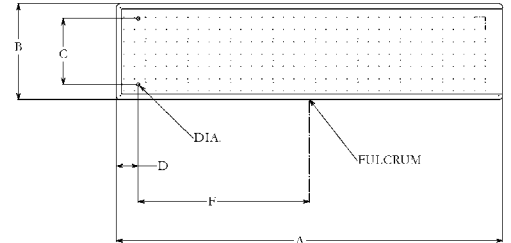
5.11.2 Minimum unobstructed headroom from the top surface of the stationary diving platform and diving rocks shall be 10 feet (3.048m).

DIVING PRODUCTS

DURO-BEAM BOARD



Part # DB6
Part # DB8
Part # DB10



Duro-Beam Features:

- Dual Beam Laminated Core
- Durable Non-Fading, Skid Resistant Acrylic Surface
- Fiberglass Reinforced for Superior Strength

Model #	Nominal Length	Pool Type	Use with Base Type	Colors
DB6	6'	I-V	La Mesa/Los Arcos, U-Stands	White, Blue, Black, Tan, Gray
DB8	8'	II-V	La Mesa/Los Arcos, U-Stands	White, Blue, Black, Tan, Gray
DB10	10'	III-V	La Mesa, U-Stands	White, Blue, Black, Tan, Gray

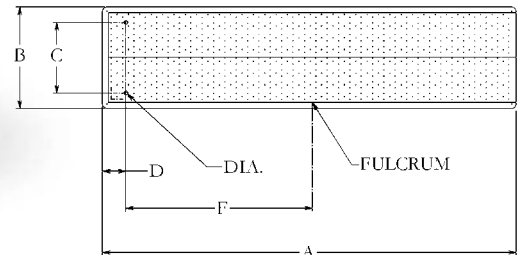
Model #	Nominal Length	A	B	C	D	F	DIA.
DB6	6'	70.25"	17.25"	12.00"	4.00"	30.00"	19/32"
DB8	8'	94.00"	17.25"	12.00"	4.00"	40.00"	19/32"
DB10	10'	117.50"	17.25"	12.00"	4.00"	52.00"	19/32"

DIVING PRODUCTS

TECHNI-BEAM BOARD



Part # TB6
Part # TB8
Part # TB10
Part # TB12



Techni-Beam Features:

- 14" Wide Solid Laminated Core
- Durable Non-Fading, Skid Resistant Acrylic Surface
- Fiberglass Reinforced for Superior Strength

Model #	Nominal Length	Pool Type	Use with Base Type	Colors
TB6	6'	I-V	La Mesa/Los Arcos, Techni-Spring, U-Stands	White, Blue, Black, Tan, Gray
TB8	8'	II-V	La Mesa/Los Arcos, U-Stands	White, Blue, Black, Tan, Gray
TB10	10'	III-V	La Mesa, U-Stands	White, Blue, Black, Tan, Gray
TB12	12'	V	U-Stands, 12' stands by other manufacturers	White, Blue

Model #	Nominal Length	A	B	C	D	F	DIA.
TB6	6'	70.25"	17.25"	12.00"	4.00"	30.00"	19/32"
TB8	8'	94.00"	17.25"	12.00"	4.00"	40.00"	19/32"
TB10	10'	117.50"	17.25"	12.00"	4.00"	52.00"	19/32"
TB12	12'	142.00"	17.25"	12.00"	4.00"	62.00"	19/32"

DIVING PRODUCTS

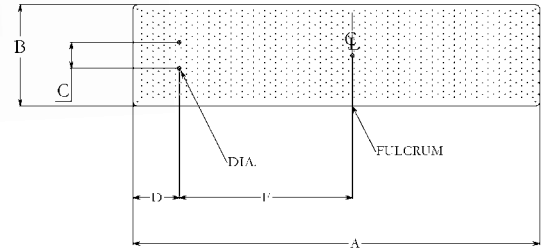
DURO-SPRING BOARD



Part # DS6
Part # DS8

Duro-Spring Features:

- 12" Wide Laminated Wood Core
- Durable Non-Fading, Skid Resistant Acrylic Surface
- Fiberglass Reinforced for Superior Strength



Model #	Nominal Length	Pool Type	Use with Base Type	Colors
DS6	6'	I-V	Duro-Spring	White, Blue, Black, Tan, Gray
DS8	8'	III-V	Duro-Spring	White, Blue, Black, Tan, Gray

Model #	Nominal Length	A	B	C	D	F	DIA.
DS6	6'	70.25"	17.25"	4.50"	8.00"	30.00"	19/32"
DS8	8'	94.00"	17.25"	4.50"	8.00"	36.00"	19/32"

DIVING PRODUCTS

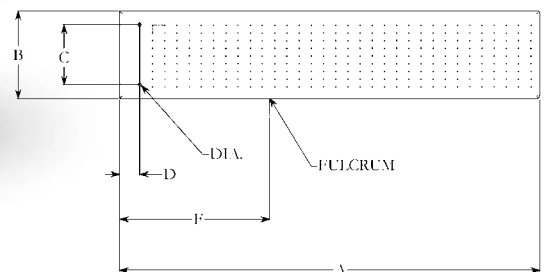
OLYMPIAN BOARD



Part # OLY6
Part # OLY8
Part # OLY10

Olympian Features:

- Solid Laminated Core
- Durable Non-Fading, Skid Resistant Acrylic Surface
- Fiberglass Reinforced for Superior Strength
- Smooth Resin Finish on Bottom of Board



Model #	Nominal Length	Pool Type	Use with Base Type	Colors
OLY6	6'	I-V	La Mesa/Los Arcos, Techni-Spring, U-Stands	White, Blue, Black, Tan, Gray
OLY8	8'	II-V	La Mesa/Los Arcos, U-Stands	White, Blue, Black, Tan, Gray
OLY10	10'	III-V	La Mesa, Techni-Spring, U-Stands	White, Blue, Black, Tan, Gray

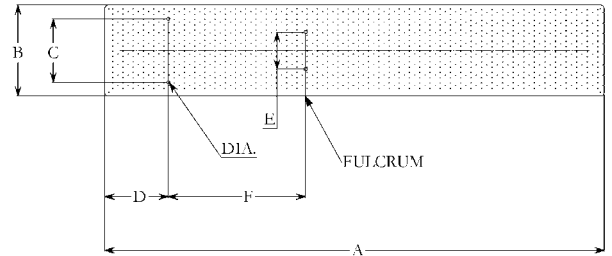
Model #	Nominal Length	A	B	C	D	F	DIA.
OLY6	6'	70.25"	17.25"	12.00"	4.00"	30.00"	19/32"
OLY8	8'	94.00"	17.25"	12.00"	4.00"	40.00"	19/32"
OLY10	10'	117.50"	17.25"	12.00"	4.00"	52.00"	19/32"

DIVING PRODUCTS

BAJA JUMP BOARD



Part # BA6
Part # BA8



Baja Jump Board Features:

- 14" Wide Laminated Core
- Durable Non-Fading, Skid Resistant Acrylic Surface
- Fiberglass Reinforced for Superior Strength

Model #	Nominal Length	Pool Type	Use with Base Type	Colors
BA6	6'	I-V	Baja Jump Stand	White, Blue, Black, Tan, Gray
BA8	8'	III-V	Baja Jump Stand	White, Blue, Black, Tan, Gray

Model #	Nominal Length	A	B	C	D	E	F	DIA.
BA6	6'	70.25"	17.25"	12.00"	12.00"	7.00"	15.00"	19/32"
BA8	8'	94.00"	17.25"	12.00"	12.00"	7.00"	26.00"	19/32"

DIVING PRODUCTS

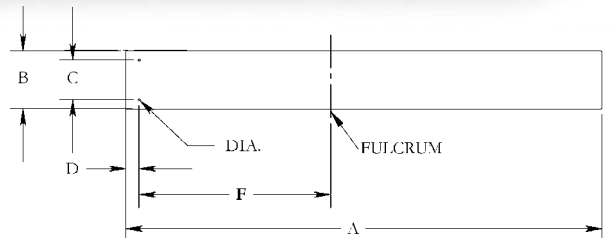
COMMERCIAL BOARD



Part # COM10
Part # COM12
Part # COM14
Part # COM16

Commercial Board Features:

- Solid Laminated Core
- Durable Non-Fading, Skid Resistant Acrylic Surface
- Fiberglass Reinforced for Superior Strength
- Smooth Resin Finish on Bottom of Board



Model #	Nominal Length	Pool Type	Use with Base Type	Colors
COM10	10'	III-V	U-Stands, Commercial Bases by other manufacturers	White, Blue
COM12	12'	V	U-Stands, Commercial Bases by other manufacturers	White, Blue
COM14	14'	VII	Commercial Bases by other manufacturers	White, Blue
COM16	16'	VII-IX	Commercial Bases by other manufacturers	White, Blue

Model #	Nominal Length	A	B	C	D	F	DIA.
COM10	10'	117.50"	17.50"	12.00"	4.00"	52.00"	19/32"
COM12	12'	142.00"	17.50"	12.00"	4.00"	62.00"	19/32"
COM14	14'	166.00"	20.00"	12.00"	4.00"	74.00"	19/32"
COM16	16'	190.00"	20.00"	12.00"	4.00"	86.00"	19/32"

Active Diving Base Features:

- Spring is derived from the diving base.
- For users who desire more pronounced spring action.

VS.

Passive Diving Base Features:

- Spring is derived from the diving board, not the base.
- For pool owners who want a diving board but desire less pronounced spring action.

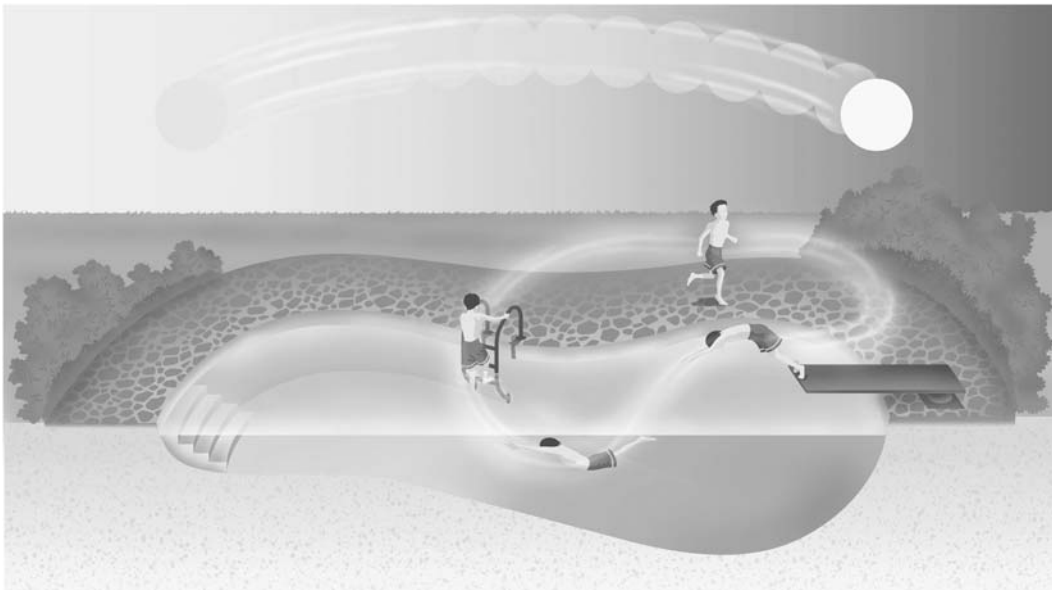
Active Diving Bases:

- Duro-Spring - economy base for light to moderate use.
- Techni-Spring - premium base for aggressive or heavy use.
- Baja - premium base for aggressive or heavy use.

VS.

Passive Diving Bases:

- La Mesa - premium base for aggressive or heavy use.
- Los Arcos - premium base for aggressive or heavy use.
- U-Stands - economy base for light to moderate use.



Even the safest equipment must be used properly. Inter-Fab promotes safe diving by offering these tips on the proper use of your diving board: always dive into water that meets depth requirements, with arms extended; be aware of the bottom and the walls of the pool; avoid collisions with pool toys and floats; and instruct your pool users to always “steer up” – once the water is entered, divers should immediately “steer” towards the surface.



Part # LAM6 (La Mesa base, 6' jig & hardware)
 Part # LAM8 (La Mesa base, 8' jig & hardware)
 Part # LAM10 (La Mesa base, 10' jig & hardware)

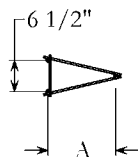
Standard Color = White
 Custom Colors = Black: -2; Tan: -7; Gray: -9
(add -CC PLUS custom color code behind part # when ordering)

FEATURES:

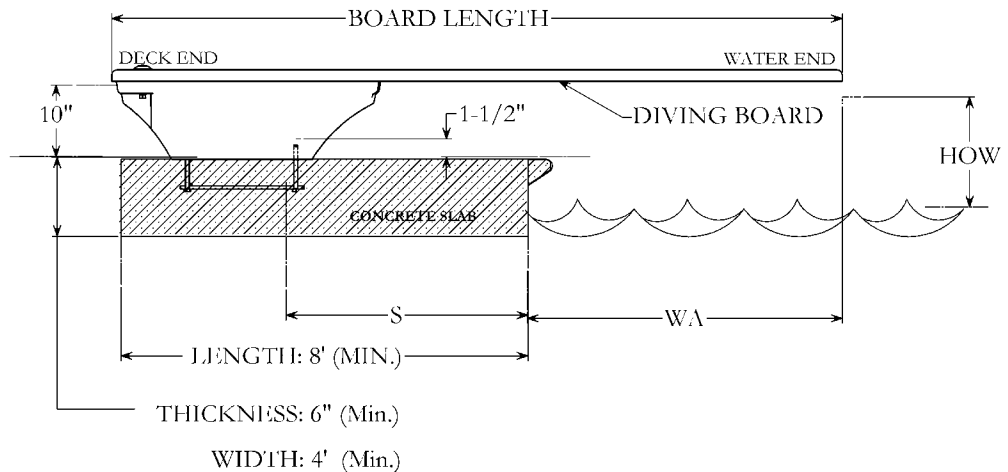
- Passive Base - Spring Feature is Derived from Board
- Durable & Long Lasting Acrylic & Fiberglass Construction
- Available for Use With 6', 8', & 10' Length Boards
- 2 Hole Drill Pattern 12" on center
- Full Exploded View - pg. F2 - F3

Standard Board = Duro-Beam
 Upgrade 1 = Techni-Beam
 Upgrade 2 = Olympian

BOLT PATTERN



BOARD LENGTH	A
6'	14"
8'	22"
10'	29 1/2"



IMPORTANT:	LA MESA PART #	NOMINAL BOARD LENGTH	ANSI/NSPI-5 POOL TYPE	DISTANCE FROM WATER'S EDGE TO FORWARD JIG BOLT (S)	DISTANCE FROM END OF BOARD TO FORWARD JIG BOLT	MIN. OVERHANG PLUS OR MINUS 3" (WA)	MAX HEIGHT OF BOARD ABOVE WATER (HOW)
	THESE DIMENSIONS ARE ACCURATE ONLY FOR VERTICAL POOL WALLS, TYPICALLY GUNITE CONSTRUCTION , WITH LESS THAN A 3' RADIUS TO THE POOL FLOOR. DUE TO THE VARYING SIZES OF OTHER POOLS, TYPICALLY VINYL LINER CONSTRUCTION , PLEASE CONTACT CUSTOMER SERVICE FOR PROPER JIG PLACEMENT. 1-800-737-5386	LAM6	6'	I	27.5"	45.5"	18"
LAM6		6'	II	27.5"	45.5"	18"	20"
LAM6		6'	III	21.5"	45.5"	24"	26"
LAM6		6'	IV	15.5"	45.5"	30"	30"
LAM6		6'	V	9.5"	45.5"	36"	40"
LAM8		8'	I	Cannot Put 8' diving board on a type I pool			
LAM8		8'	II	41.25"	59.25"	18"	20"
LAM8		8'	III	35.25"	59.25"	24"	26"
LAM8		8'	IV	29.25"	59.25"	30"	30"
LAM8		8'	V	23.25"	59.25"	36"	40"
LAM10		10'	I	Cannot Put 10' diving board on a type I pool			
LAM10		10'	II	Cannot Put 10' diving board on a type II pool			
LAM10		10'	III	51.5"	75.5"	24"	26"
LAM10		10'	IV	45.5"	75.5"	30"	30"
LAM10		10'	V	39.5"	75.5"	36"	40"



Part # LOS6 (Los Arcos base, 6' jig & hardware)

Part # LOS8 (Los Arcos base, 8' jig & hardware)

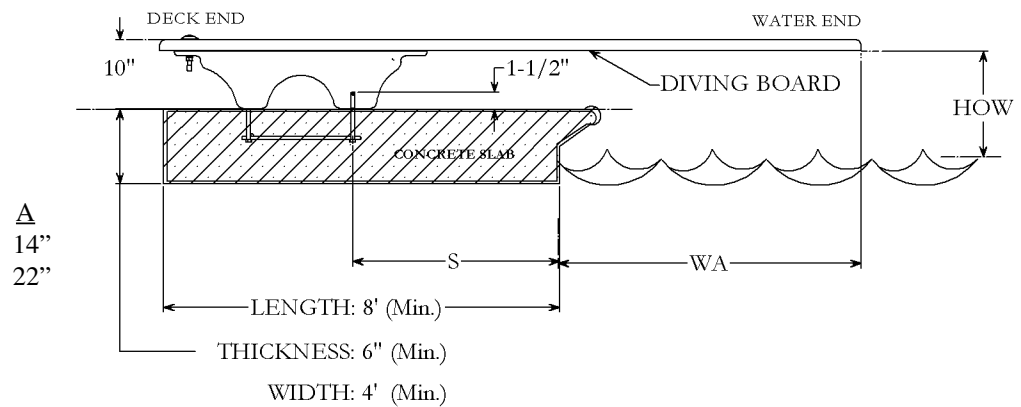
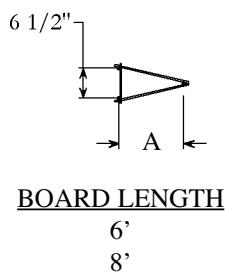
FEATURES:

- Passive Base - Spring Feature is Derived from Board
- Durable & Long Lasting Acrylic & Fiberglass Construction
- Available for Use With 6' & 8' Length Boards
- 2 Hole Drill Pattern 12" on center
- Full Exploded View - pg. F4 - F5

Standard Color = White
 Custom Colors = Black: -2; Tan: -7; Gray: -9
(add -CC PLUS custom color code behind part # when ordering)

Standard Board = Duro-Beam
 Upgrade 1 = Techni-Beam
 Upgrade 2 = Olympian

BOLT PATTERN



<p>IMPORTANT:</p> <p>THESE DIMENSIONS ARE ACCURATE ONLY FOR VERTICAL POOL WALLS, TYPICALLY GUNITE CONSTRUCTION, WITH LESS THAN A 3' RADIUS TO THE POOL FLOOR.</p> <p>DUE TO THE VARYING SIZES OF OTHER POOLS, TYPICALLY VINYL LINER CONSTRUCTION, PLEASE CONTACT CUSTOMER SERVICE FOR PROPER JIG PLACEMENT.</p> <p>1-800-737-5386</p>	LOS ARCOS PART #	NOMINAL BOARD LENGTH	ANSI/ NSPI-5 POOL TYPE	DISTANCE FROM WATER'S EDGE TO FORWARD JIG BOLT (S)	DISTANCE FROM END OF BOARD TO FORWARD JIG BOLT	MIN. OVERHANG PLUS OR MINUS 3" (WA)	MAX HEIGHT OF BOARD ABOVE WATER (HOW)
	LOS6	6'	I	27.5"	45.5"	18"	20"
	LOS6	6'	II	27.5"	45.5"	18"	20"
	LOS6	6'	III	21.5"	45.5"	24"	26"
	LOS6	6'	IV	15.5"	45.5"	30"	30"
	LOS6	6'	V	9.5"	45.5"	36"	40"
	LOS8	8'	I	Cannot Put 8' diving board on a type I pool			
	LOS8	8'	II	41.25"	59.25"	18"	20"
	LOS8	8'	III	35.25"	59.25"	24"	26"
	LOS8	8'	IV	29.25"	59.25"	30"	30"
LOS8	8'	V	23.25"	59.25"	36"	40"	



FEATURES:

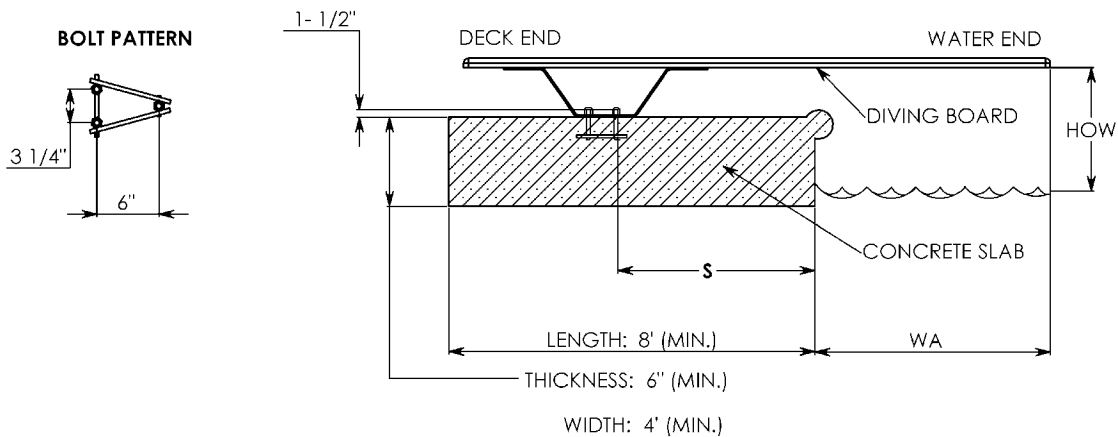
- Active Base - Spring Feature is Derived from Base
- Powder Coated Steel Platform
- Available for Use With 6' & 8' Length Boards
- 3 Hole Drill Pattern
- Full Exploded View - pg. F6 - F7

Part # DSS6 (Duro-Spring base, 6' jig & hardware)

Part # DSS8 (Duro-Spring base, 8' jig & hardware)

Standard Board = Duro-Spring

Standard Color = White / Custom Colors = Black: -2; Earth: -3; Copper Vein: -4; Patina: -5; Hammertone Gray: -6; Light Gray: -9
(add -CC PLUS custom color code behind part # when ordering)



IMPORTANT: THESE DIMENSIONS ARE ACCURATE ONLY FOR VERTICAL POOL WALLS, TYPICALLY GUNITE CONSTRUCTION , WITH LESS THAN A 3' RADIUS TO THE POOL FLOOR. DUE TO THE VARYING SIZES OF OTHER POOLS, TYPICALLY VINYL LINER CONSTRUCTION . PLEASE CONTACT CUSTOMER SERVICE FOR PROPER JIG PLACEMENT. 1-800-737-5386	DURO-SPRING PART #	NOMINAL BOARD LENGTH	ANSI/ NSPI-5 POOL TYPE	DISTANCE FROM WATER'S EDGE TO FORWARD JIG BOLT (S)	DISTANCE FROM END OF BOARD TO FORWARD JIG BOLT	MIN. OVERHANG PLUS OR MINUS 3" (WA)	MAX HEIGHT OF BOARD ABOVE WATER (HOW)
	DSS6	6'	I	27"	45"	18"	20"
	DSS6	6'	II	27"	45"	18"	20"
	DSS6	6'	III	21"	45"	24"	26"
	DSS6	6'	IV	15"	45"	30"	30"
	DSS6	6'	V	9"	45"	36"	40"
	DSS8	8'	I	Cannot put 8' jump board on type I pool			
	DSS8	8'	II	Cannot put 8' jump board on type II pool			
	DSS8	8'	III	39.75"	63.75"	24"	26"
	DSS8	8'	IV	33.75"	63.75"	30"	30"
DSS8	8'	V	27.75"	63.75"	36"	40"	

DIVING BASES

U-STANDARDS BASE

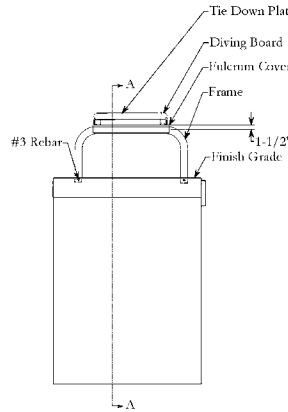
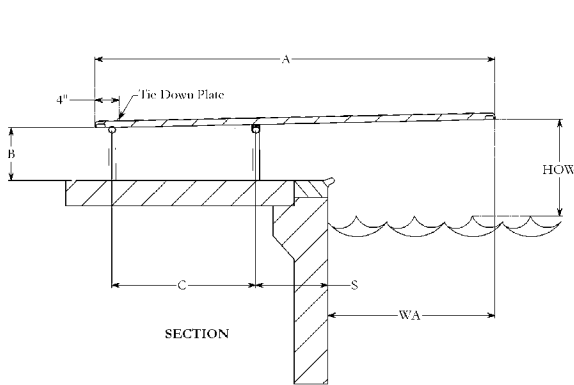


Part # DBU12049 (12" U style)
 Part # DBU18049 (18" U style; Also available in .065" #DBU18065)
 Part # DBU24049 (24" U style; Also available in .065" #DBU24065)

FEATURES:

- Passive Base - Spring Feature is Derived from Board
- Available in 7 Powder Coated Finishes
- Available for Use With 6', 8', 10', 12', 14', & 16' Length Boards
- 2 Hole Drill Pattern 12" on center
- Full Exploded View - pg. F8 - F9

Standard Color = White / Custom Colors = Black: -2; Earth: -3; Copper Vein: -4; Patina: -5; Hammertone Gray: -6; Light Gray: -9
(add -CC PLUS custom color code behind part # when ordering)



Standard Board = Duro-Beam
 Upgrade 1 = Techni-Beam
 Upgrade 2 = Olympian
 Upgrade 3 = Commercial

IMPORTANT: THESE DIMENSIONS ARE ACCURATE ONLY FOR VERTICAL POOL WALLS, TYPICALLY GUNITE CONSTRUCTION , WITH LESS THAN A 3' RADIUS TO THE POOL FLOOR. DUE TO THE VARYING SIZES OF OTHER POOLS, TYPICALLY VINYL LINER CONSTRUCTION , PLEASE CONTACT CUSTOMER SERVICE FOR PROPER JIG PLACEMENT. 1-800-737-5386	U-STANDARDS PART #	NOMINAL BOARD LENGTH	ANSI/ NSPI-5 POOL TYPE	DISTANCE FROM WATER'S EDGE TO FORWARD JIG BOLT (S)	DISTANCE FROM END OF BOARD TO FORWARD JIG BOLT	MIN. OVERHANG PLUS OR MINUS 3" (WA)	MAX HEIGHT OF BOARD ABOVE WATER (HOW)
	<small>(Note: there are several sizes available for each pool type)</small>						
	DBU12049 or DBU18049	6'	I	18.25"	36.25"	18"	20"
	DBU12049 or DBU18049	6'	II	18.25"	36.25"	18"	20"
	DBU12049 or DBU18049	6'	III	12.25"	36.25"	24"	26"
	DBU12049 or DBU18049	6'	IV	6.25"	36.25"	30"	30"
	DBU12049 or DBU18049	6'	V	Not recommended. Call customer service for more information.			
	DBU12049 or DBU18049	8'	I	32"	50"	18"	20"
	DBU12049 or DBU18049	8'	II	32"	50"	18"	20"
	DBU12049 or DBU18049	8'	III	26"	50"	24"	26"
	DBU12049 or DBU18049	8'	IV	20"	50"	30"	30"
	DBU12049 or DBU18049	8'	V	14"	50"	36"	40"
	DBU18049 or DBU24049	10'	I	43.5"	61.5"	18"	20"
	DBU18049 or DBU24049	10'	II	43.5"	61.5"	18"	20"
	DBU18049 or DBU24049	10'	III	37.5"	61.5"	24"	26"
	DBU18049 or DBU24049	10'	IV	31.5"	61.5"	30"	30"
	DBU18049 or DBU24049	10'	V	25.5"	61.5"	36"	40"
	DBU18049 or DBU24049	12'	I	58"	76"	18"	20"
	DBU18049 or DBU24049	12'	II	58"	76"	18"	20"
	DBU18049 or DBU24049	12'	III	52"	76"	24"	26"
	DBU18049 or DBU24049	12'	IV	46"	76"	30"	30"
	DBU18049 or DBU24049	12'	V	40"	76"	36"	40"



FEATURES:

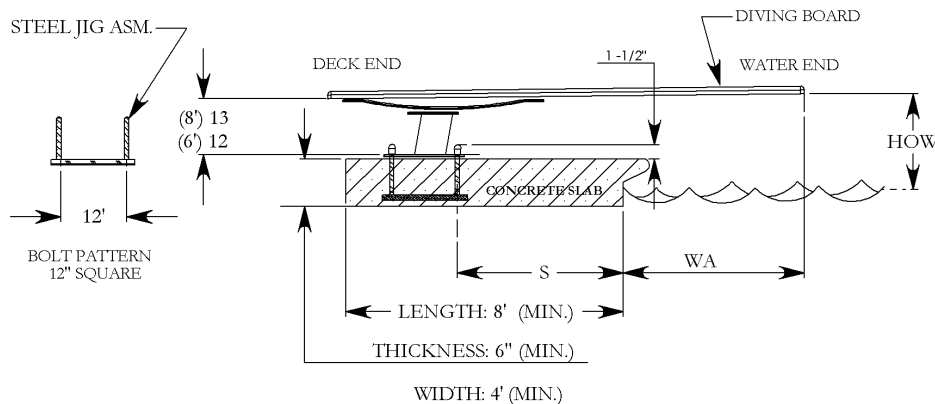
- Active Base - Spring Feature is Derived from Base
- Powder Coated Steel Platform with Leaf Spring
- Available for Use With 6 &, 8" Length Boards
- 2 Hole Drill Pattern 12" on center
- Full Exploded View - pg. F10 - F11

Part # TSB (Techni-Spring Steel Base)
 Part # TSS6 (6' Spring Assembly) **OR** Part # TSS8 (8' Spring Assembly)
 Part # for Compatible Diving Board

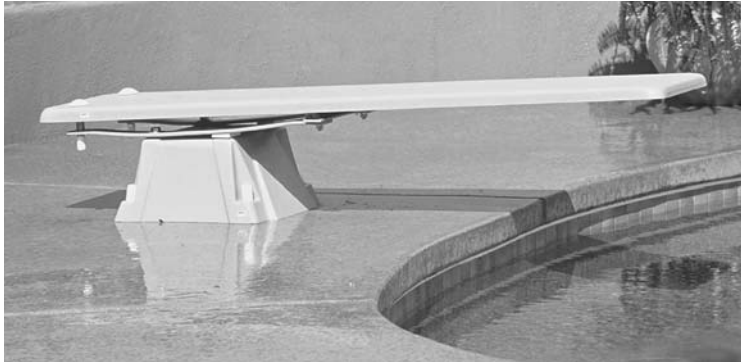
Standard Board = Techni-Beam
 Upgrade I = Olympian

NOTE: Must order 3 parts for a complete Techni-Spring base and board combination.

Standard Color = White / Custom Colors = Black: -2; Earth: -3; Copper Vein: -4; Patina: -5; Hammertone Gray: -6; Light Gray: -9
(add -CC PLUS custom color code behind part # when ordering)



IMPORTANT: THESE DIMENSIONS ARE ACCURATE ONLY FOR VERTICAL POOL WALLS, TYPICALLY GUNITE CONSTRUCTION , WITH LESS THAN A 3' RADIUS TO THE POOL FLOOR. DUE TO THE VARYING SIZES OF OTHER POOLS, TYPICALLY VINYL LINER CONSTRUCTION . PLEASE CONTACT CUSTOMER SERVICE FOR PROPER JIG PLACEMENT. 1-800-737-5386	TECHNI-SPRING PART # (STEEL)	NOMINAL BOARD LENGTH	ANSI/ NSPI-5 POOL TYPE	DISTANCE FROM WATER'S EDGE TO FORWARD JIG BOLT (S)	DISTANCE FROM END OF BOARD TO FORWARD JIG BOLT	MIN. OVERHANG PLUS OR MINUS 3" (WA)	MAX HEIGHT OF BOARD ABOVE WATER (HOW)
	TSB/TSS6	6'	I	31.5"	49.5"	18"	20"
	TSB/TSS6	6'	II	31.5"	49.5"	18"	20"
	TSB/TSS6	6'	III	25.5"	49.5"	24"	26"
	TSB/TSS6	6'	IV	19.5"	49.5"	30"	30"
	TSB/TSS6	6'	V	13.5"	49.5"	36"	40"
	TSB/TSS8	8'	I	Cannot put 8' jump board on type I pool			
	TSB/TSS8	8'	II	Cannot put 8' jump board on type II pool			
	TSB/TSS8	8'	III	44.25"	68.25"	24"	26"
	TSB/TSS8	8'	IV	38.25"	68.25"	30"	30"
TSB/TSS8	8'	V	32.25"	68.25"	36"	40"	



FEATURES:

- Active Base - Spring Feature is Derived from Base
- Durable & Long Lasting Acrylic & Fiberglass Construction with Powder-Coated Leaf Spring
- Available for Use With 6' & 8' Length Boards
- 2 Hole Drill Pattern 12" on center
- Full Exploded View - pg. F12 - F13

Part # TSBF (Techni-Spring Fiberglass Base)

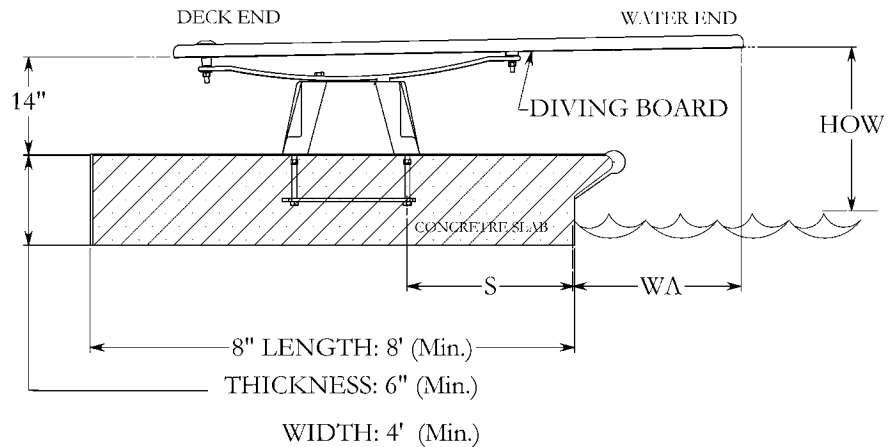
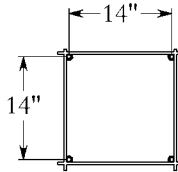
Part # TSS6 (6' Spring Assembly) **OR** Part # TSS8 (8' Spring Assembly)

Part # for Compatible Diving Board

NOTE: Must order 3 parts for a complete Techni-Spring base and board combination.

Standard Color = White / Custom Colors = Black: -2; Tan -7; Gray -9 (add -CC PLUS custom color code behind part # when ordering)	Standard Board = Techni-Beam Upgrade I = Olympian
--	--

BOLT PATTERN



IMPORTANT: THESE DIMENSIONS ARE ACCURATE ONLY FOR VERTICAL POOL WALLS, TYPICALLY GUNITE CONSTRUCTION , WITH LESS THAN A 3' RADIUS TO THE POOL FLOOR. DUE TO THE VARYING SIZES OF OTHER POOLS, TYPICALLY VINYL LINER CONSTRUCTION . PLEASE CONTACT CUSTOMER SERVICE FOR PROPER JIG PLACEMENT. 1-800-737-5386	TECHNI-SPRING PART # (FIBERGLASS)	NOMINAL BOARD LENGTH	ANSI/NSPI-5 POOL TYPE	DISTANCE FROM WATER'S EDGE TO FORWARD JIG BOLT (S)	DISTANCE FROM END OF BOARD TO FORWARD JIG BOLT	MIN. OVERHANG PLUS OR MINUS 3" (WA)	MAX HEIGHT OF BOARD ABOVE WATER (HOW)
	TSBF/TSS6	6'	I	28.25"	46.25"	18"	20"
	TSBF/TSS6	6'	II	28.25"	46.25"	18"	20"
	TSBF/TSS6	6'	III	22.25"	46.25"	24"	26"
	TSBF/TSS6	6'	IV	16.25"	46.25"	30"	30"
	TSBF/TSS6	6'	V	10.25"	46.25"	36"	40"
	TSBF/TSS8	8'	I	Cannot put 8' jump board on type I pool			
	TSBF/TSS8	8'	II	Cannot put 8' jump board on type II pool			
	TSBF/TSS8	8'	III	41"	65"	24"	26"
	TSBF/TSS8	8'	IV	35"	65"	30"	30"
	TSBF/TSS8	8'	V	29"	65"	36"	40"



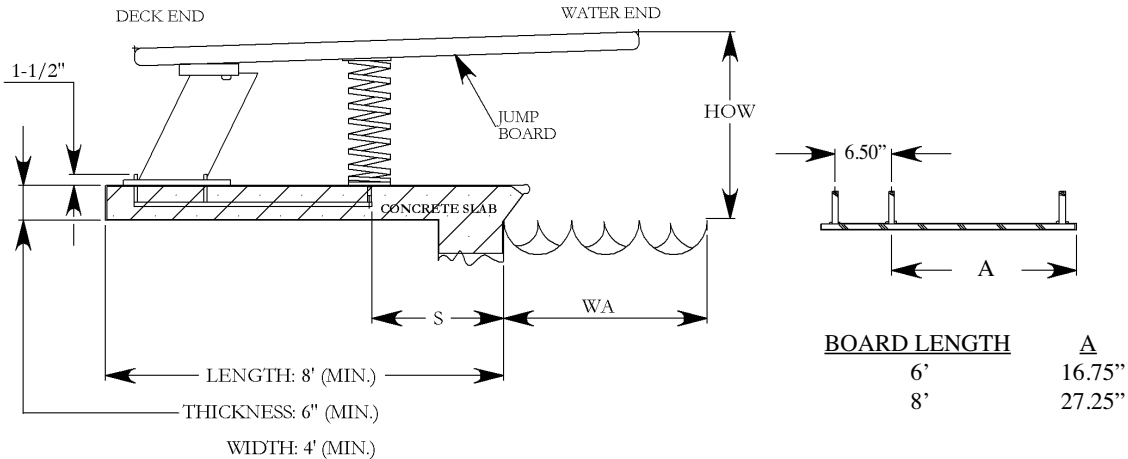
FEATURES:

- Active Base - Spring Feature is Derived from Base
- Powder Coated Steel Platform
- Dual Powder Coated Coil Springs
- Available for Use With 6' & 8' Length Boards
- 4 Hole Drill Pattern
- Full Exploded View - pg. F14 - F15

Part # BA-6C (Complete 6' kit w/stand & coil spring, jig & hardware)
 Part # BA-8C (Complete 8' kit w/stand & coil spring, jig & hardware)

Standard Board = Baja Jump Board

Standard Color = White / Custom Colors = Black: -2; Earth: -3; Copper Vein: -4; Patina: -5; Hammertone Gray: -6; Light Gray: -9
(add -CC PLUS custom color code behind part # when ordering)



<p>IMPORTANT:</p> <p>THESE DIMENSIONS ARE ACCURATE ONLY FOR VERTICAL POOL WALLS, TYPICALLY GUNITE CONSTRUCTION, WITH LESS THAN A 3' RADIUS TO THE POOL FLOOR.</p> <p>DUE TO THE VARYING SIZES OF OTHER POOLS, TYPICALLY VINYL LINER CONSTRUCTION, PLEASE CONTACT CUSTOMER SERVICE FOR PROPER JIG PLACEMENT.</p> <p>1-800-737-5386</p>	BAJA PART #	NOMINAL BOARD LENGTH	ANSI/ NSPI-5 POOL TYPE	DISTANCE FROM WATER'S EDGE TO FORWARD JIG BOLT (S)	DISTANCE FROM END OF BOARD TO FORWARD JIG BOLT	MIN. OVERHANG PLUS OR MINUS 3" (WA)	MAX HEIGHT OF BOARD ABOVE WATER (HOW)	
	BA-6C	6'	I	25"	43"	18"	20"	
	BA-6C	6'	II	25"	43"	18"	20"	
	BA-6C	6'	III	19"	43"	24"	26"	
	BA-6C	6'	IV	13"	43"	30"	30"	
	BA-6C	6'	V	7"	43"	36"	40"	
	BA-8C	8'	I	Cannot put 8' Jump Board on Type I pool				
	BA-8C	8'	II	Cannot put 8' Jump Board on Type II pool				
	BA-8C	8'	III	39.75"	63.75"	24"	26"	
	BA-8C	8'	IV	33.75"	63.75"	30"	30"	
	BA-8C	8'	V	27.75"	63.75"	36"	40"	